
MODEL NUMBER FHS1011-M30AC

| ITEM NO. | PART DESCRIPTION | PART NUMBER | QUAN. |
|----------|--|-------------|-------|
| 1 | PIN - SUPPORT 1 DIA. X 5 3/4 LG. | 5018-0002 | 4 |
| 2 | BRACKET - MAIN LEG | 6018-1 | 4 |
| 3 | HEX. NUT 3/8-24NF | 54-0100 | 8 |
| 4 | SOC. SET SCREW 3/8-24NF X 1 3/4 LG. | 63-0110 | 8 |
| 5 | PIN - SUPPORT 11/16 DIA. X 5 11/16 LG. | 5017-0006 | 4 |
| 6 | SPACER BAR 16" LG. | 3604-0006 | 2 |
| 7 | BRACKET - BRACE LEG | 6018-2 | 4 |
| 8 | I-BEAM STL 18" X 30' LG. REINF. | 1681-1230 | 1 |
| 9 | KEY RING 2 1/4 OD. | 82-0030 | 18 |
| 10 | CAUTION TAG No. 399 | 1969-RING | 16 |
| 11 | LOCK WASHER INT. TOOTH 3/4 | 58-0040 | 4 |
| 12 | HEX. NUT 3/4-10NC | 54-0040 | 4 |
| 13 | TROLLEY STOP ANGLE | 5131-0000 | 4 |
| 14 | HEX. HD. BOLT 3/4-10NC X 2 1/2 LG. | 51-0480 | 4 |
| 15 | BRACE LEG | 3625-0100 | 4 |
| 16 | MAIN LEG | 3627-0100 | 4 |
| 17 | PIN - SUPPORT 11/16 DIA. X 4 9/16 LG. | 5017-0004 | 4 |
| 20 | HEX. HD. BOLT 1/2-13NC X 4 LG. | 51-0460 | 4 |
| 21 | LOCK WASHER INT. TOOTH 1/2 | 58-0020 | 4 |
| 22 | HEX. NUT 1/2-13NC | 54-0050 | 4 |
| 23 | PIN - LOWER LEG 3/4 DIA. X 5 1/8 LG. | 5023-0000 | 4 |
| 24 | CASTER PLATE | 5030-0000 | 4 |
| 25 | HEX. HD. BOLT 1/2-13NC X 1 3/4 LG. | 51-0300 | 32 |
| 26 | LOCK WASHER INT. TOOTH 1/2 | 58-0020 | 32 |
| 27 | HEX. NUT 1/2-13NC | 54-0050 | 32 |
| 28 | CASTER WHEEL 8" DIA. | 47-81NB | 8 |
| 29 | CASTER FRAME TUBE | 3628-0100 | 2 |
| 30 | COTTER PIN 1/4 X 2 LG. | 60-0040 | 4 |



Wallace Cranes Parts Location

Hippolift 5 Ton

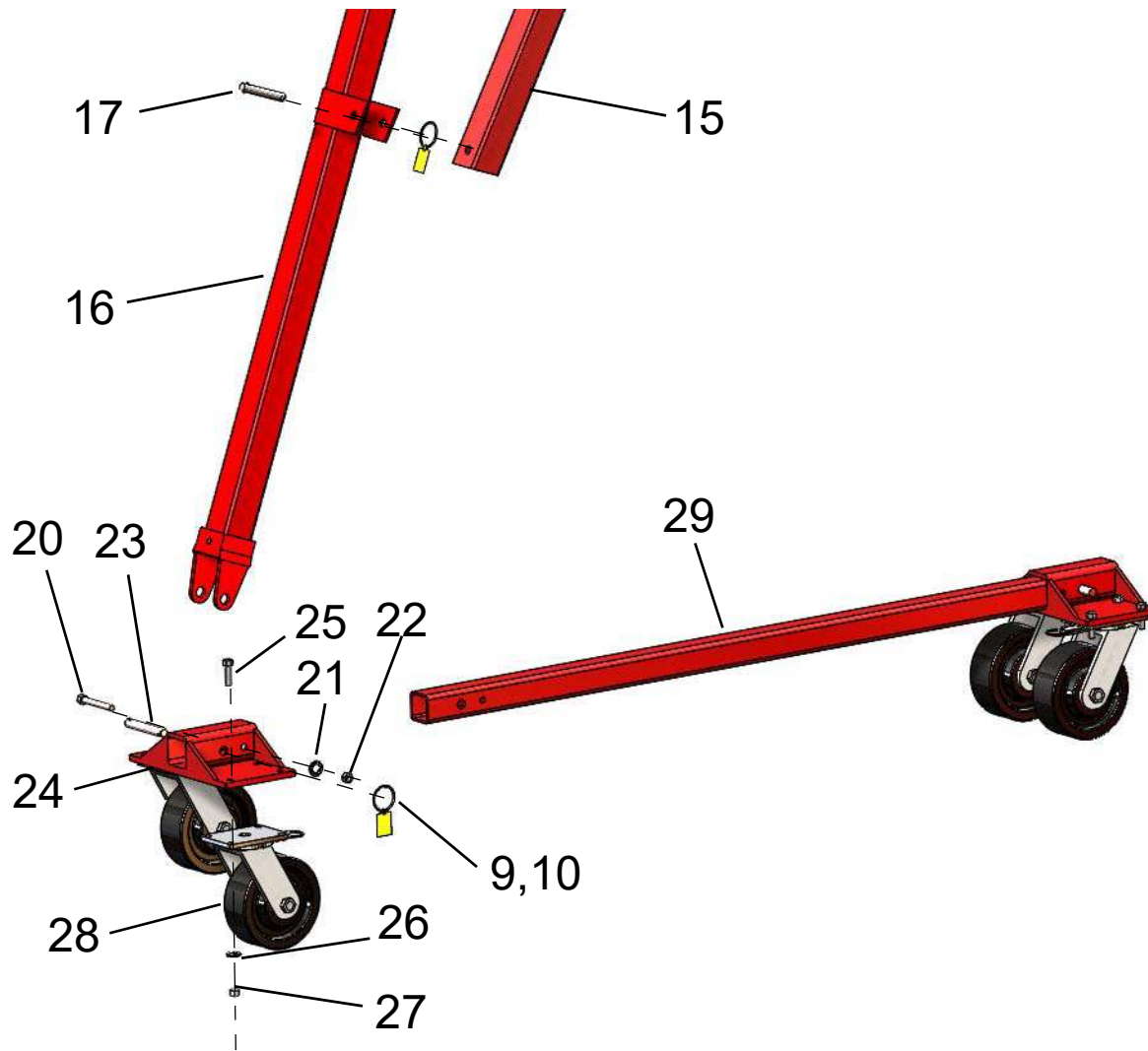


I-Beam
Assembly
Parts Location

Wallace Cranes
71 N Bacton Hill Rd.
Malvern, PA 19355



www.wallacecranes.com
800-553-5438
©2017 All rights reserved



Caster Frame
 Assembly
 Parts Location

Wallace Cranes
 71 N Bacton Hill Rd.
 Malvern, PA 19355



www.wallacecranes.com
 800-553-5438
 ©2017 All rights reserved