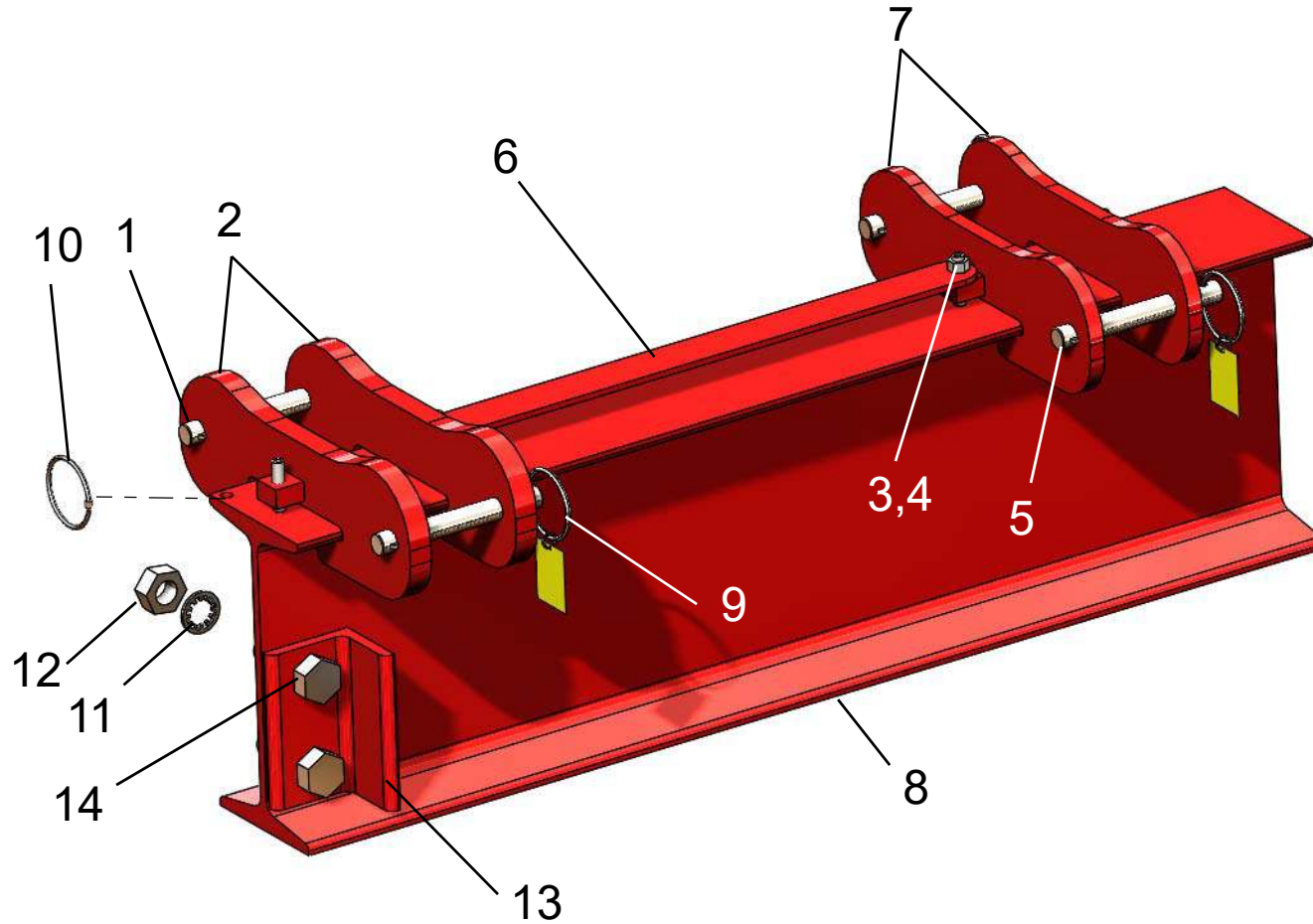

MODEL NUMBER 5T15-25AC

| ITEM NO. | PART DESCRIPTION | PART NUMBER | QUAN. |
|----------|---|-------------|-------|
| 1 | SUPPORT PIN 1 DIA. X 6 3/16 LG. | 5018-0003 | 4 |
| 2 | MAIN LEG BRACKET | 6018-1 | 4 |
| 3 | HEX. NUT 3/8-24NF | 54-0100 | 8 |
| 4 | SOC. SET SCREW 3/8-24NF X 1 3/4 LG. | 63-0110 | 8 |
| 5 | PIN - SUPPORT 11/16 DIA. X 5 11/16 LG. | 5017-0006 | 4 |
| 6 | SPACER BAR 19 1/2 LG. | 5307-1950 | 2 |
| 7 | BRACE LEG BRACKET | 6018-2 | 4 |
| 8 | I-BEAM STL. 18" X 25' LG. | 769-0250 | 1 |
| 9 | CAUTION TAG No. 399 | 1969-RING | 12 |
| 10 | KEY RING 2 1/4 DIA. | 82-0030 | 14 |
| 11 | LOCK WASHER INT. TOOTH 3/4 | 58-0040 | 4 |
| 12 | HEX. NUT 3/4-10NC | 54-0040 | 4 |
| 13 | TROLLEY STOP ANGLE | 5132-0000 | 4 |
| 14 | HEX. HD. BOLT 3/4-10NC X 2 1/2 LG. | 51-0480 | 4 |
| 15 | BRACE LEG | 5014-0003 | 4 |
| 16 | MAIN LEG ASSEMBLY | 5008-0101 | 4 |
| 17 | UPPER MAIN LEG | 5034-0003 | 4 |
| 18 | ROLL PIN 5/32 X 3/4 LG. | 61-0300 | 4 |
| 19 | LOAD PIN CASTING | 3016-0000 | 4 |
| 20 | EXTENSION SPRING | 1017-0000 | 8 |
| 21 | LOWER MAIN LEG | 5035-0003 | 4 |
| 22 | SAFETY STOP ASSEMBLY | 3112-0001 | 4 |
| 23 | CASTER FRAME ASSEMBLY | 5007-0100 | 2 |
| 24 | SAFETY CABLE ASS'Y 100" LG. | 5028-0003 | 2 |
| 25 | OUTER CASTER FRAME TUBE | 5016-0003 | 2 |
| 26 | CASTER FRAME ADJUSTMENT PIN | 5139-0000 | 2 |
| 27 | INNER CASTER FRAME TUBE | 5051-0003 | 2 |
| 28 | HEX. HD. BOLT 1/2-13NC X 3 1/2 LG. | 51-0500 | 2 |
| 29 | CASTER PLATE | 5030-0000 | 4 |
| 30 | LOWER MAIN LEG PIN 3/4 DIA. X 5 1/8 LG. | 5023-0000 | 4 |
| 31 | HEX. HD. BOLT 1/2-13NC X 4 LG. | 51-0460 | 6 |
| 32 | HEX. HD. BOLT 1/2-13NC X 1 3/4 LG. | 51-0300 | 32 |
| 33 | CASTER WHEEL 8" DIA. | 47-81NB | 8 |
| 34 | LOCK WASHER INT. TOOTH 1/2 | 58-0020 | 40 |
| 35 | HEX. NUT 1/2-13NC | 54-0050 | 40 |



Wallace Cranes Parts Location

Square Tube Tri-Adjustable 2 - 5 Ton

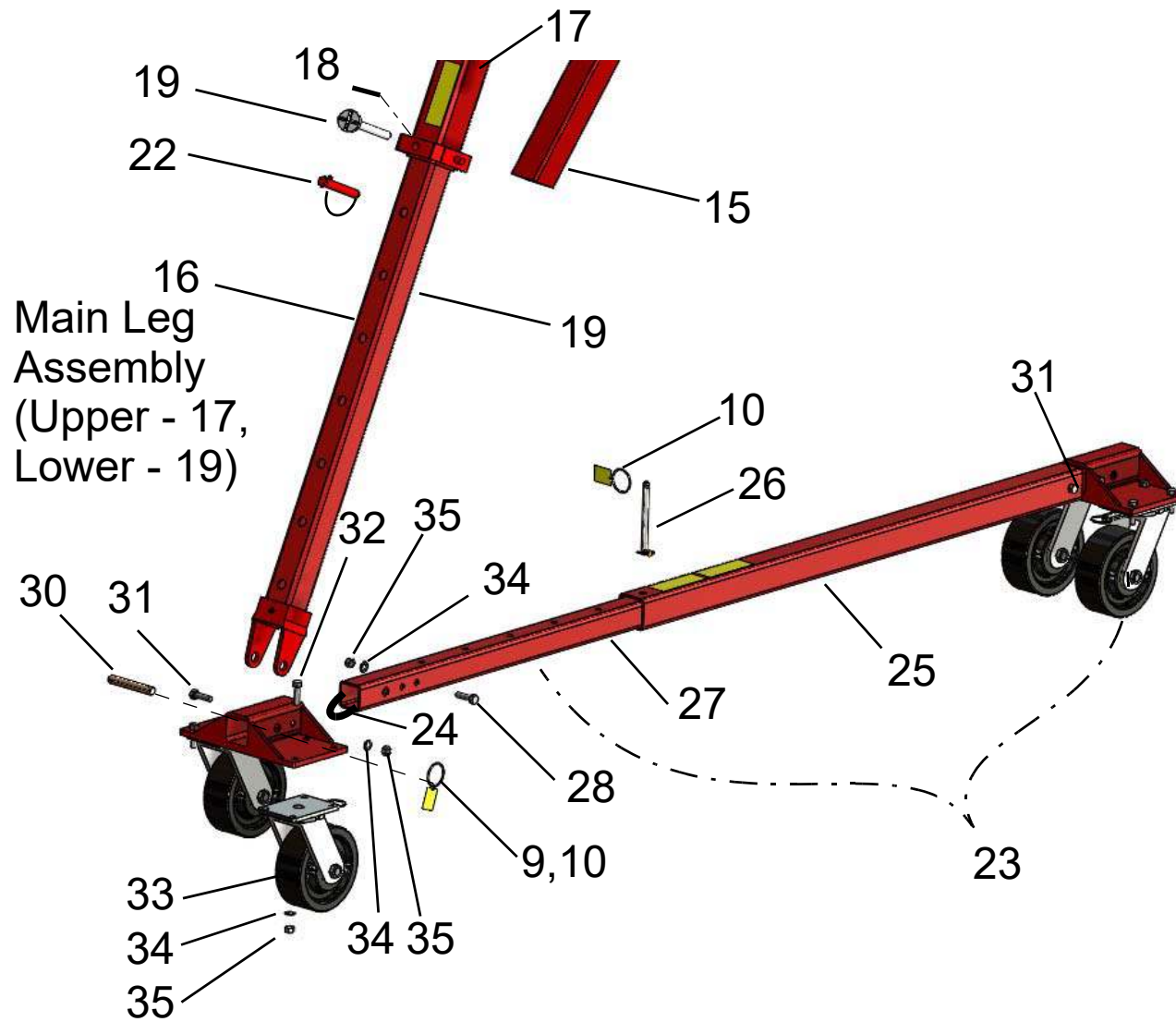


I-Beam
Assembly
Parts Location

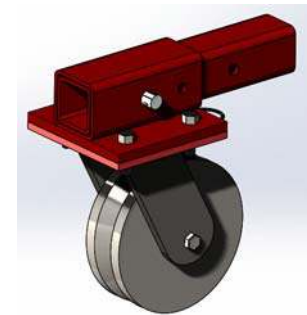
Wallace Cranes
71 N Bacton Hill Rd.
Malvern, PA 19355



www.wallacecranes.com
800-553-5438
©2017 All rights reserved



Caster Frame
Assembly
Parts Location



Alternate
V-Groove Caster
Part No. 5047

Wallace Cranes
71 N Bacton Hill Rd.
Malvern, PA 19355



www.wallacecranes.com
800-553-5438
©2017 All rights reserved