

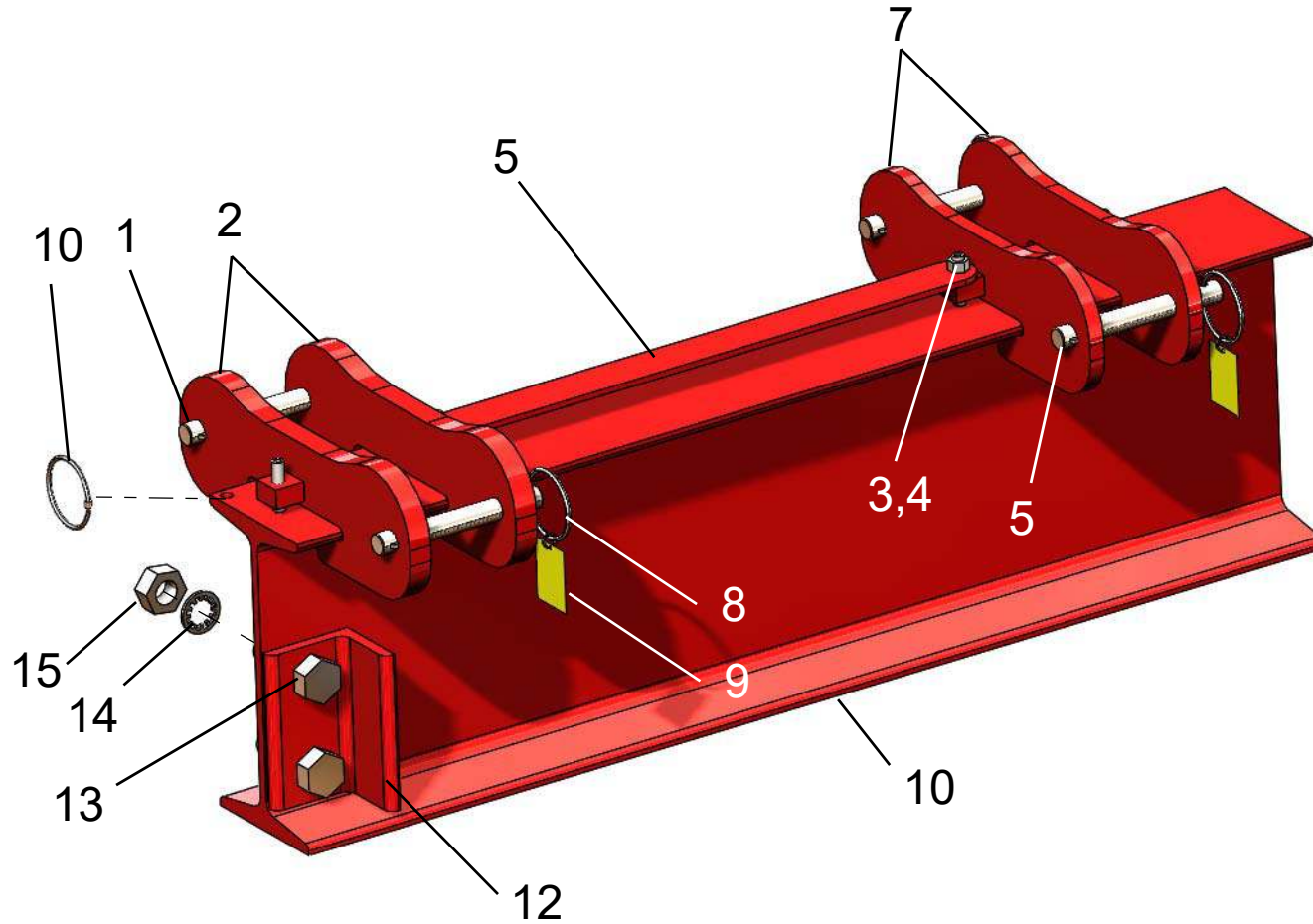
MODEL NUMBER 15T15-30

| ITEM NO. | PART DESCRIPTION                        | PART NUMBER | QUAN. |
|----------|---|-------------|-------|
| 1        | PIN - MAIN LEG 1 1/8 DIA. X 9 1/4 LG.   | 5529-0000   | 4     |
| 2        | COTTER PIN 1/4 X 2 LG.                  | 60-0040     | 20    |
| 3        | HEX. NUT 3/8-24NF                       | 54-0100     | 8     |
| 4        | SOC. SET SCREW 3/8-24NF X 1 3/4 LG.     | 63-0100     | 8     |
| 5        | SPACER BAR 32 3/8 LG.                   | 5504-0000   | 2     |
| 6        | PIN - BRACE LEG 7/8 DIA. X 8 3/8 LG.    | 5524-0000   | 4     |
| 7        | BRACE LEG BRACKET                       | 6224-2      | 4     |
| 8        | KEY RING 2 1/4 DIA.                     | 82-0030     | 14    |
| 9        | CAUTION TAG No. 399                     | 1969-RING   | 12    |
| 10       | I-BEAM STL. 24" X 30' LG. REINF.        | 1724-0301   | 1     |
| 11       | MAIN LEG BRACKET                        | 6224-1      | 4     |
| 12       | TROLLEY STOP ANGLE                      | 5505-0000   | 4     |
| 13       | HEX. HD. BOLT 1-8NC X 3 1/4 LG.         | 51-0514     | 4     |
| 14       | LOCK WASHER 1"                          | 57-0090     | 4     |
| 15       | HEX. NUT 1-8NC                          | 54-0010     | 4     |
| 16       | LEG - UPPER MAIN                        | 5530-0001   | 4     |
| 17       | PIN - BRACE LEG 1 DIA. X 5 3/4 LG.      | 5018-0002   | 4     |
| 18       | HEX. HD. BOLT 5/8-11NC X 6 1/2 LG.      | 51-0504     | 8     |
| 19       | LEG - LOWER MAIN                        | 5532-0020   | 4     |
| 20       | INNER JOINT TUBE                        | 5531-0000   | 4     |
| 21       | LOCK WASHER INT. TOOTH 5/8              | 58-0030     | 36    |
| 22       | HEX. NUT 5/8-11NC                       | 54-0020     | 36    |
| 23       | BRACE                                   | -----       | 0     |
| 24       | BRACE LEG                               | 5525-0001   | 4     |
| 25       | CASTER FRAME TUBE                       | 5510-0090   | 2     |
| 26       | CASTER WHEEL V-GROOVE                   | 47-0304     | 4     |
| 27       | HEX. HD. BOLT 5/8-11NC X 2 LG.          | 51-0036     | 16    |
| 28       | PIN - LOWER MAIN 1 1/8 DIA. X 7 1/2 LG. | 5533-0000   | 4     |
| 29       | CASTER PLATE                            | 5544-0000   | 4     |
| 30       | HEX. HD. BOLT 5/8-11NC X 6 LG.          | 51-0502     | 12    |



# Wallace Cranes Parts Location

15 Ton Fixed Height

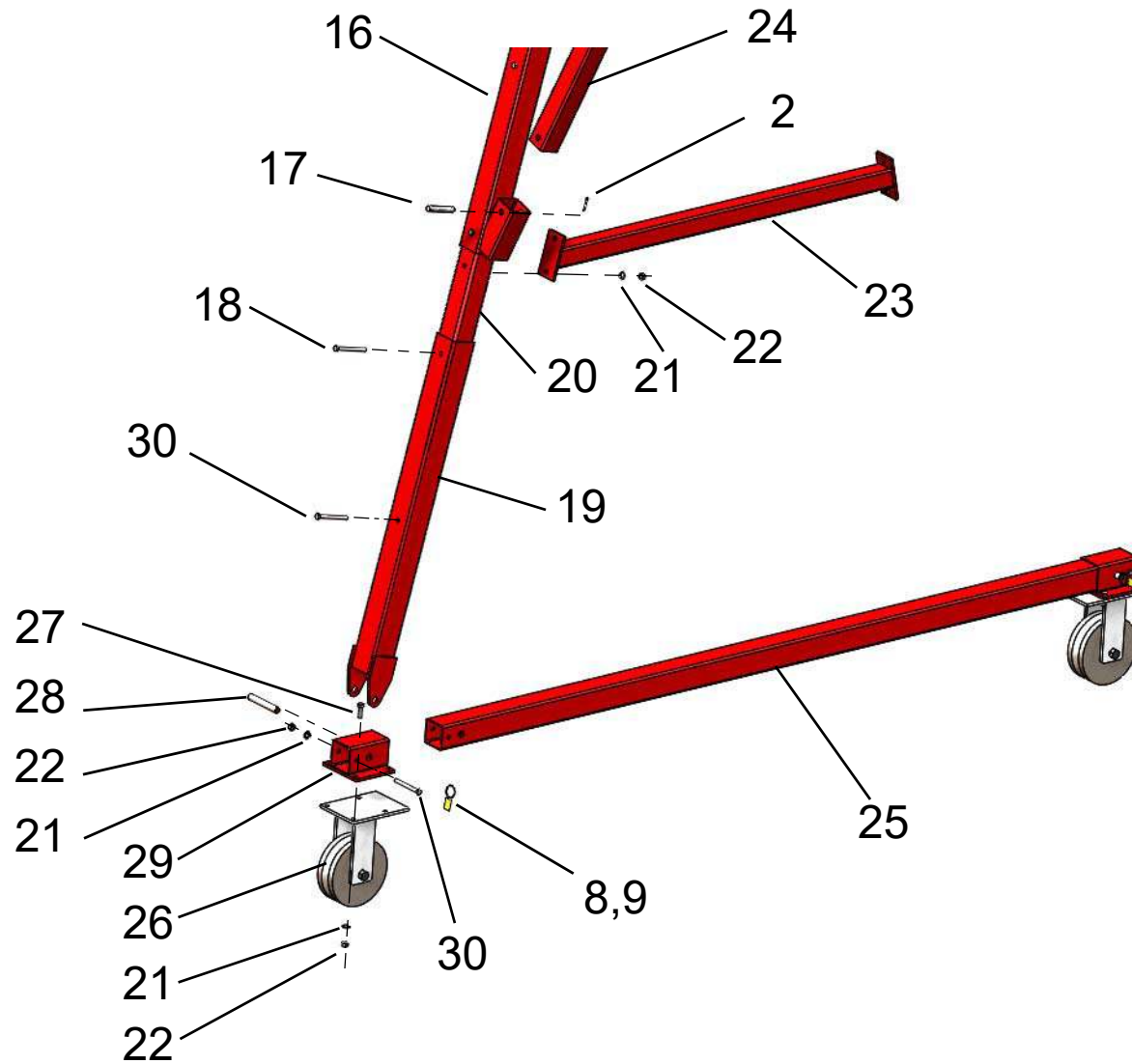


I-Beam  
Assembly  
Parts Location

Wallace Cranes  
71 N Bacton Hill Rd.  
Malvern, PA 19355



[www.wallacecranes.com](http://www.wallacecranes.com)  
800-553-5438  
©2017 All rights reserved



Caster Frame  
Assembly  
Parts Location

**NOTE:**  
The Brace (Part 23)  
is not used on all  
models of this crane.

Wallace Cranes  
71 N Bacton Hill Rd.  
Malvern, PA 19355



www.wallacecranes.com  
800-553-5438  
©2017 All rights reserved