

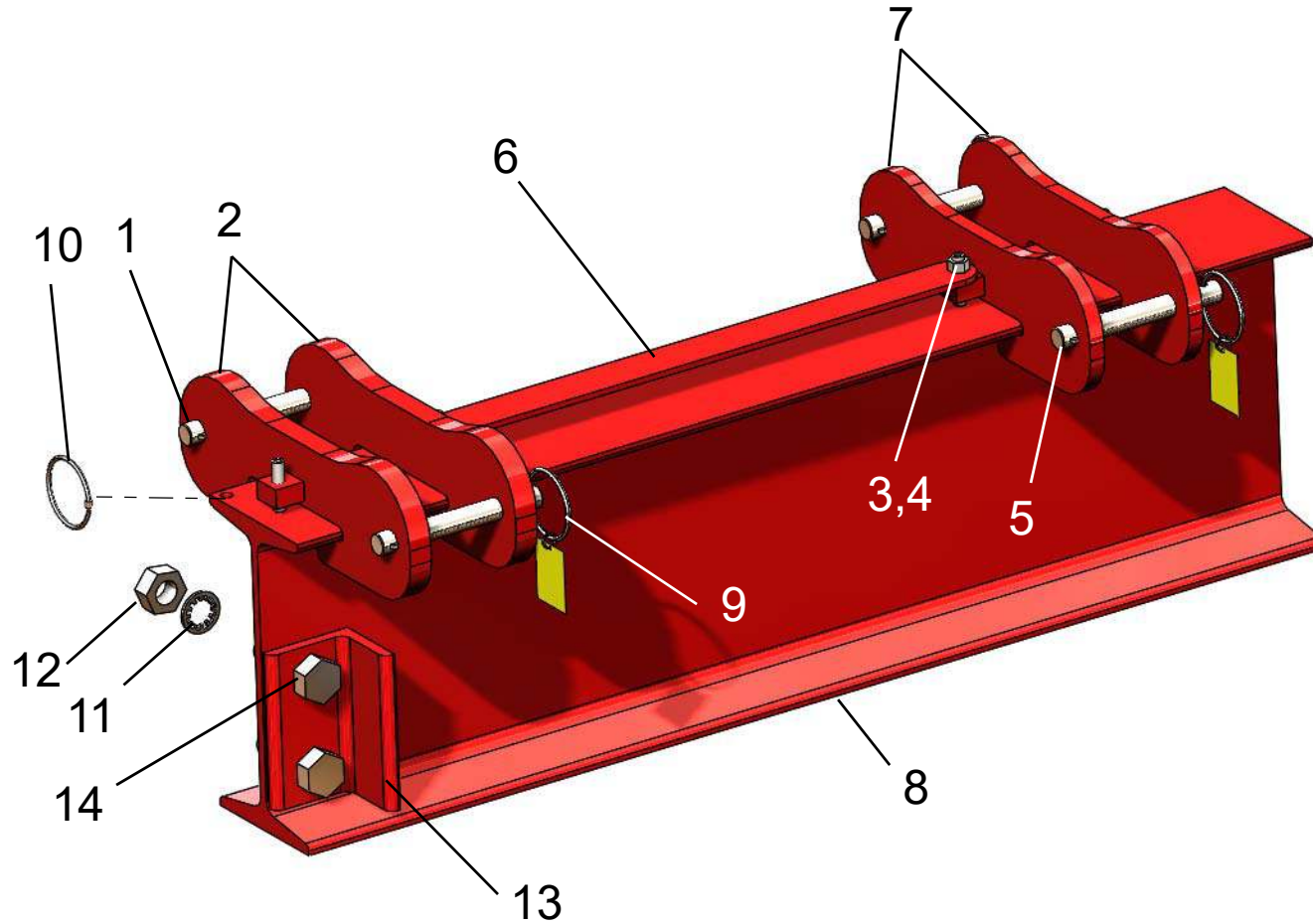
MODEL NUMBER 10T19-S35

| ITEM NO. | PART DESCRIPTION                       | PART NUMBER | QUAN. |
|----------|--|-------------|-------|
| 1        | SUPPORT PIN 1 DIA. X 8 1/4 LG.         | 5413-0000   | 4     |
| 2        | MAIN LEG BRACKET                       | 6124-1      | 4     |
| 3        | HEX. NUT 3/8-24NF                      | 54-0100     | 8     |
| 4        | SOC. SET SCREW 3/8-24NF X 1 3/4 LG.    | 63-0110     | 8     |
| 5        | SUPPORT PIN 3/4 DIA. X 6 1/4 LG.       | 5129-0001   | 4     |
| 6        | SPACER BAR 26 LG.                      | 5307-2600   | 2     |
| 7        | BRACE LEG BRACKET                      | 6124-2      | 4     |
| 8        | I-BEAM STL. 24" X 35' LG. REINF.       | 1697-0351   | 1     |
| 9        | KEY RING 2 1/4 DIA.                    | 82-0030     | 16    |
| 10       | CAUTION TAG No. 399                    | 1969-RING   | 12    |
| 11       | LOCK WASHER INT. TOOTH 3/4             | 58-0040     | 4     |
| 12       | HEX. NUT 3/4-10NC                      | 54-0040     | 4     |
| 13       | TROLLEY STOP ANGLE                     | 5131-0000   | 4     |
| 14       | HEX. HD. BOLT 3/4-10NC X 2 1/2 LG.     | 51-0480     | 4     |
| 15       | BRACE LEG                              | 5135-0002   | 4     |
| 16       | MAIN LEG ASSEMBLY                      | 5106-0121   | 4     |
| 17       | UPPER MAIN LEG                         | 5155-0002   | 4     |
| 18       | ROLL PIN 5/32 X 3/4 LG.                | 61-0300     | 4     |
| 19       | LOAD PIN CASTING                       | 5111-0000   | 4     |
| 20       | EXTENSION SPRING                       | 5117-0000   | 8     |
| 21       | LOWER MAIN LEG                         | 5157-0002   | 4     |
| 22       | SAFETY STOP ASSEMBLY                   | 5140-0000   | 4     |
| 23       | CASTER FRAME ASSEMBLY                  | 5107-0121   | 2     |
| 24       | SAFETY CABLE ASS'Y 130" LG.            | 5028-0002   | 2     |
| 25       | OUTER CASTER FRAME TUBE                | 5136-0002   | 2     |
| 26       | CASTER FRAME ADJUSTMENT PIN            | 5139-0000   | 2     |
| 27       | INNER CASTER FRAME TUBE                | 5137-0002   | 2     |
| 28       | HEX. HD. BOLT 1/2-13NC X 3 1/2 LG.     | 51-0460     | 2     |
| 29       | CASTER PLATE                           | 5161-0000   | 4     |
| 30       | LOWER MAIN LEG PIN 1 DIA. X 6 7/16 LG. | 5018-0000   | 4     |
| 31       | HEX. HD. BOLT 1/2-13NC X 5 LG.         | 51-0110     | 6     |
| 32       | HEX. HD. BOLT 1/2-13NC X 1 3/4 LG.     | 51-0300     | 32    |
| 33       | CASTER WHEEL 10" DIA.                  | 47-0250     | 8     |
| 34       | LOCK WASHER INT. TOOTH 1/2             | 58-0020     | 40    |
| 35       | HEX. NUT 1/2-13NC                      | 54-0050     | 40    |
| 36       | COTTER PIN 1/4 X 2 LG.                 | 60-0040     | 4     |



# Wallace Cranes Parts Location

Square Tube Tri-Adjustable 8 & 10 Ton

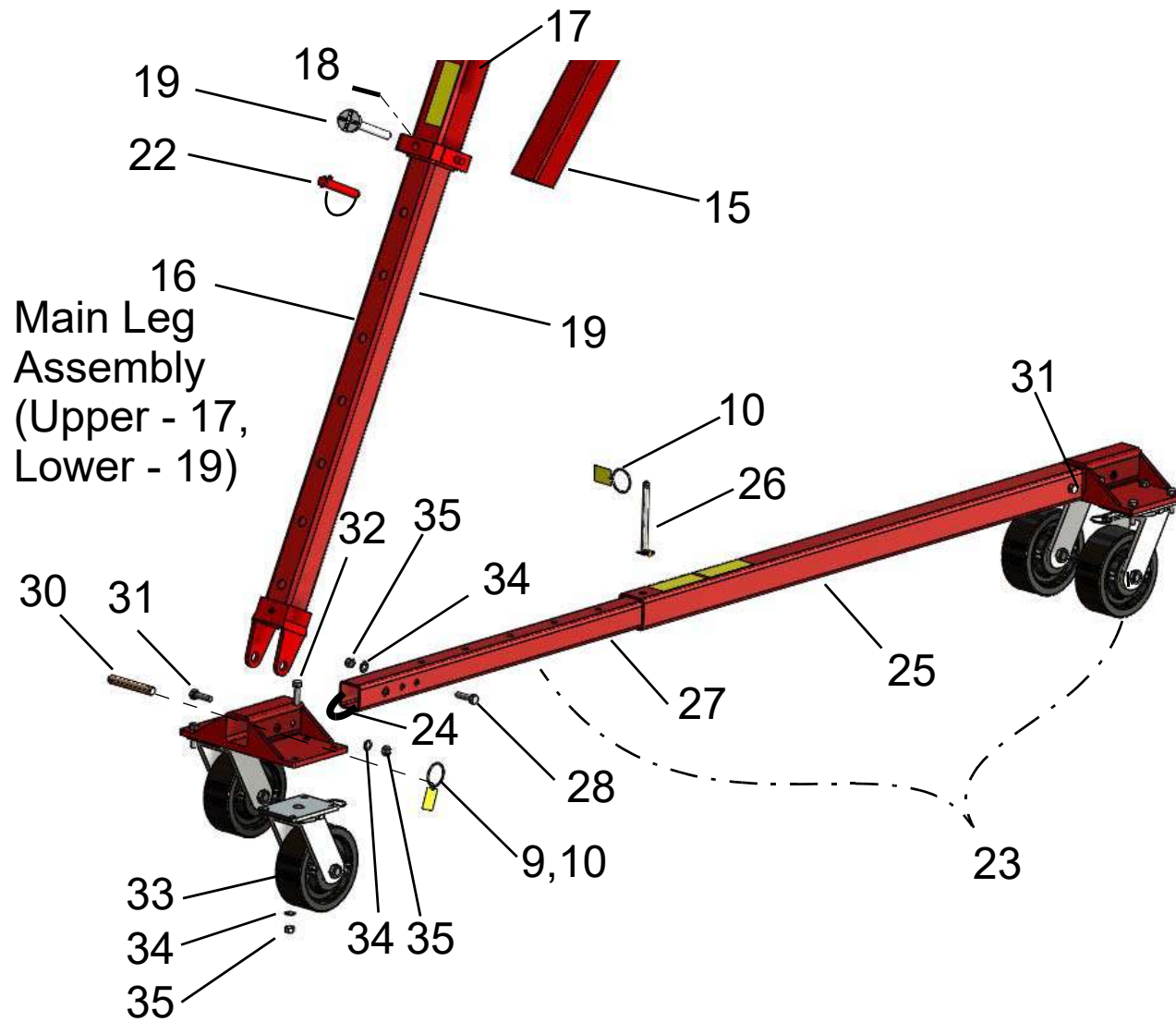


I-Beam  
Assembly  
Parts Location

Wallace Cranes  
71 N Bacton Hill Rd.  
Malvern, PA 19355



[www.wallacecranes.com](http://www.wallacecranes.com)  
800-553-5438  
©2017 All rights reserved



Caster Frame  
Assembly  
Parts Location



Alternate  
V-Groove Caster  
Part No. 5141

Wallace Cranes  
71 N Bacton Hill Rd.  
Malvern, PA 19355



www.wallacecranes.com  
800-553-5438  
©2017 All rights reserved