

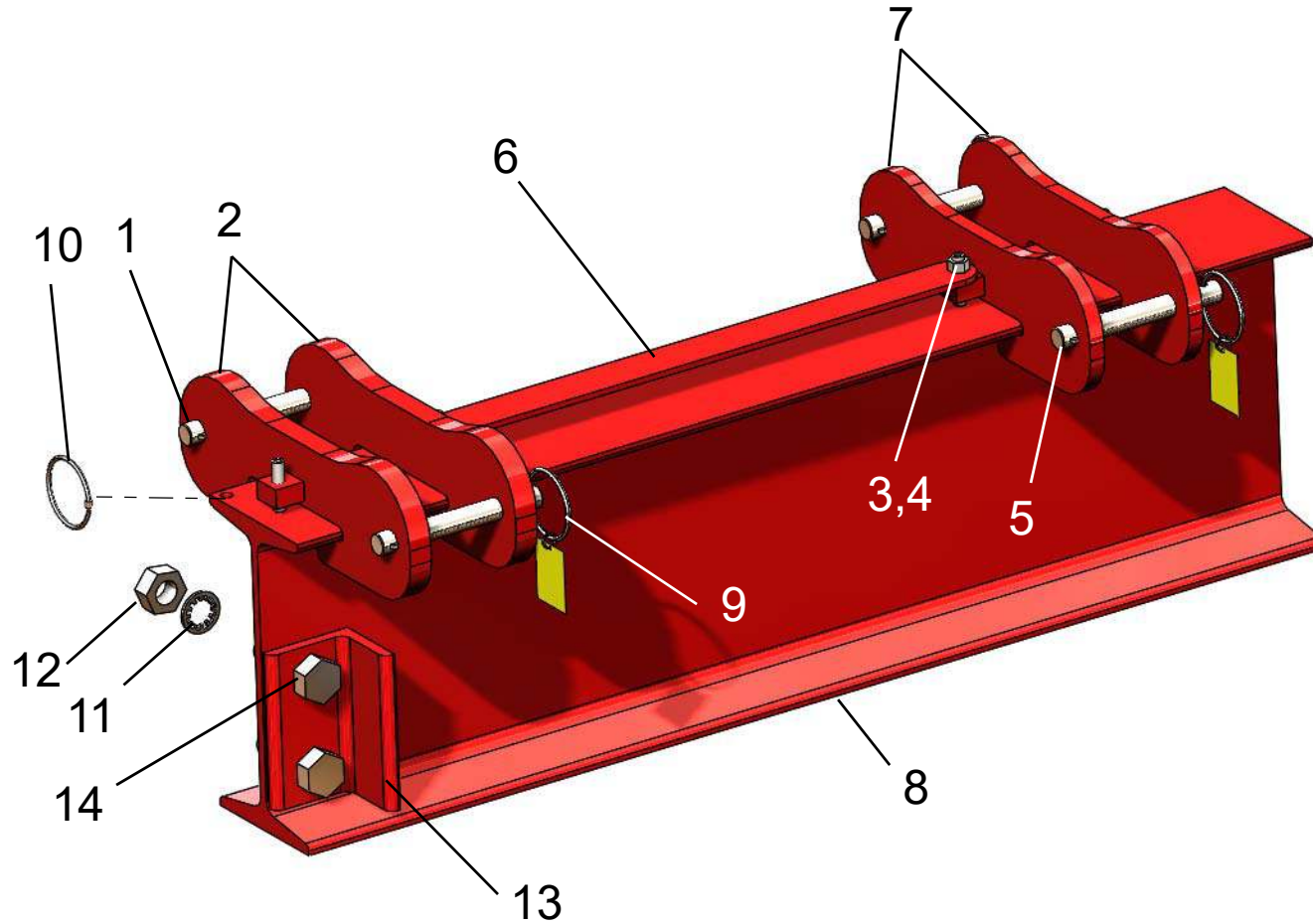
MODEL NUMBER 10T19-M20

| ITEM NO. | PART DESCRIPTION | PART NUMBER | QUAN. |
|----------|--|-------------|-------|
| 1 | SUPPORT PIN 1 DIA. X 8 1/4 LG. | 5413-0000 | 4 |
| 2 | MAIN LEG BRACKET | 6118-1 | 4 |
| 3 | HEX. NUT 3/8-24NF | 54-0100 | 8 |
| 4 | SOC. SET SCREW 3/8-24NF X 1 3/4 LG. | 63-0110 | 8 |
| 5 | SUPPORT PIN 3/4 DIA. X 6 1/4 LG. | 5129-0001 | 4 |
| 6 | SPACER BAR 26 LG. | 5307-2600 | 2 |
| 7 | BRACE LEG BRACKET | 6118-2 | 4 |
| 8 | I-BEAM STL. 18" X 20' LG. REINF. | 1681-1020 | 1 |
| 9 | KEY RING 2 1/4 DIA. | 82-0030 | 16 |
| 10 | CAUTION TAG No. 399 | 1969-RING | 12 |
| 11 | LOCK WASHER INT. TOOTH 3/4 | 58-0040 | 4 |
| 12 | HEX. NUT 3/4-10NC | 54-0040 | 4 |
| 13 | TROLLEY STOP ANGLE | 5132-0000 | 4 |
| 14 | HEX. HD. BOLT 3/4-10NC X 2 1/2 LG. | 51-0480 | 4 |
| 15 | BRACE LEG | 5135-0002 | 4 |
| 16 | MAIN LEG ASSEMBLY | 5106-0121 | 4 |
| 17 | UPPER MAIN LEG | 5155-0002 | 4 |
| 18 | ROLL PIN 5/32 X 3/4 LG. | 61-0300 | 4 |
| 19 | LOAD PIN CASTING | 5111-0000 | 4 |
| 20 | EXTENSION SPRING | 5117-0000 | 8 |
| 21 | LOWER MAIN LEG | 5157-0002 | 4 |
| 22 | SAFETY STOP ASSEMBLY | 5140-0000 | 4 |
| 23 | CASTER FRAME ASSEMBLY | 5107-0121 | 2 |
| 24 | SAFETY CABLE ASS'Y 130" LG. | 5028-0002 | 2 |
| 25 | OUTER CASTER FRAME TUBE | 5136-0002 | 2 |
| 26 | CASTER FRAME ADJUSTMENT PIN | 5139-0000 | 2 |
| 27 | INNER CASTER FRAME TUBE | 5137-0002 | 2 |
| 28 | HEX. HD. BOLT 1/2-13NC X 3 1/2 LG. | 51-0460 | 2 |
| 29 | CASTER PLATE | 5161-0000 | 4 |
| 30 | LOWER MAIN LEG PIN 1 DIA. X 6 7/16 LG. | 5018-0000 | 4 |
| 31 | HEX. HD. BOLT 1/2-13NC X 5 LG. | 51-0110 | 6 |
| 32 | HEX. HD. BOLT 1/2-13NC X 1 3/4 LG. | 51-0300 | 32 |
| 33 | CASTER WHEEL 10" DIA. | 47-0250 | 8 |
| 34 | LOCK WASHER INT. TOOTH 1/2 | 58-0020 | 40 |
| 35 | HEX. NUT 1/2-13NC | 54-0050 | 40 |
| 36 | COTTER PIN 1/4 X 2 LG. | 60-0040 | 4 |



Wallace Cranes Parts Location

Square Tube Tri-Adjustable 8 & 10 Ton

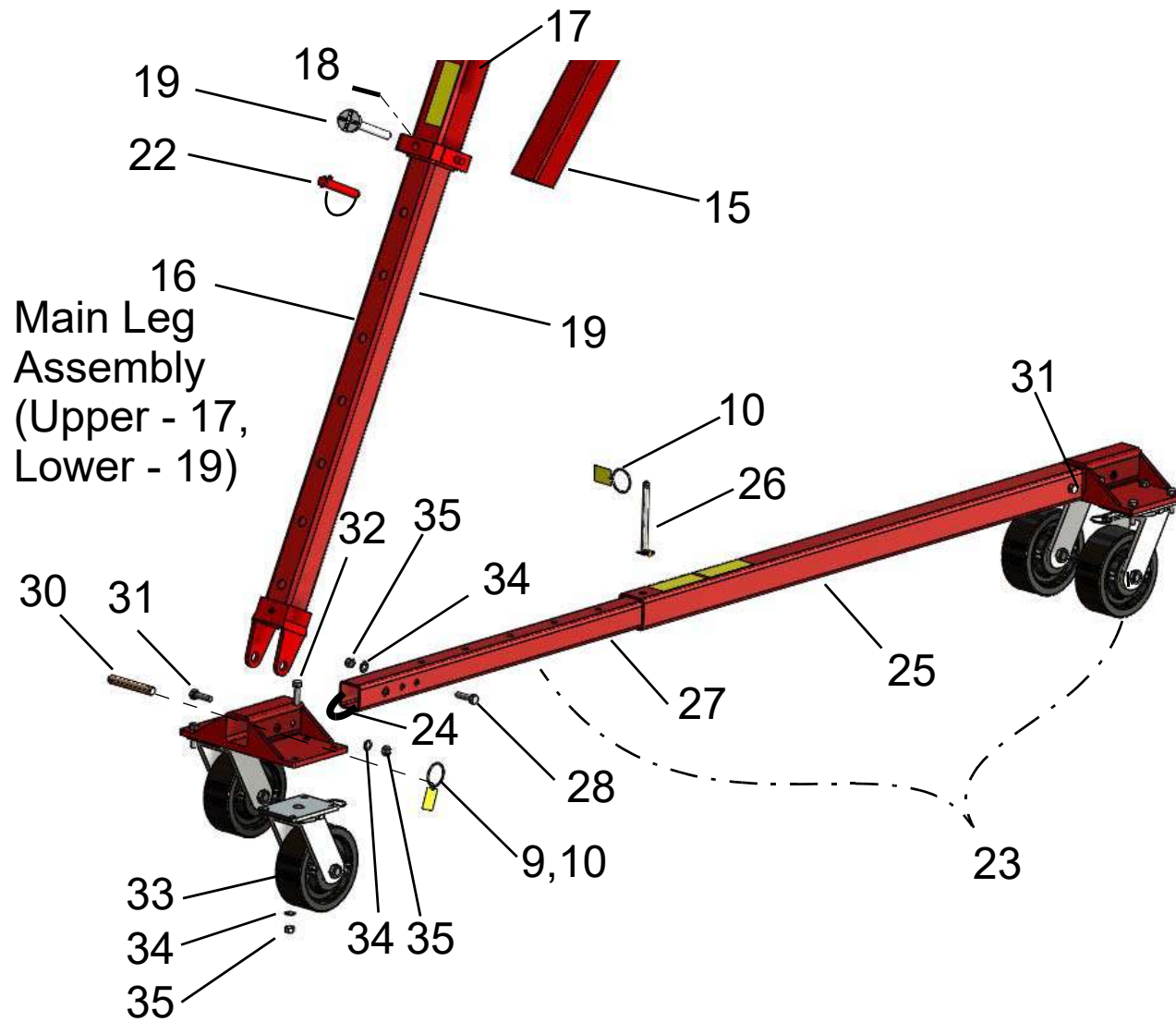


I-Beam
Assembly
Parts Location

Wallace Cranes
71 N Bacton Hill Rd.
Malvern, PA 19355



www.wallacecranes.com
800-553-5438
©2017 All rights reserved



Caster Frame
Assembly
Parts Location



Alternate
V-Groove Caster
Part No. 5141

Wallace Cranes
71 N Bacton Hill Rd.
Malvern, PA 19355



www.wallacecranes.com
800-553-5438
©2017 All rights reserved