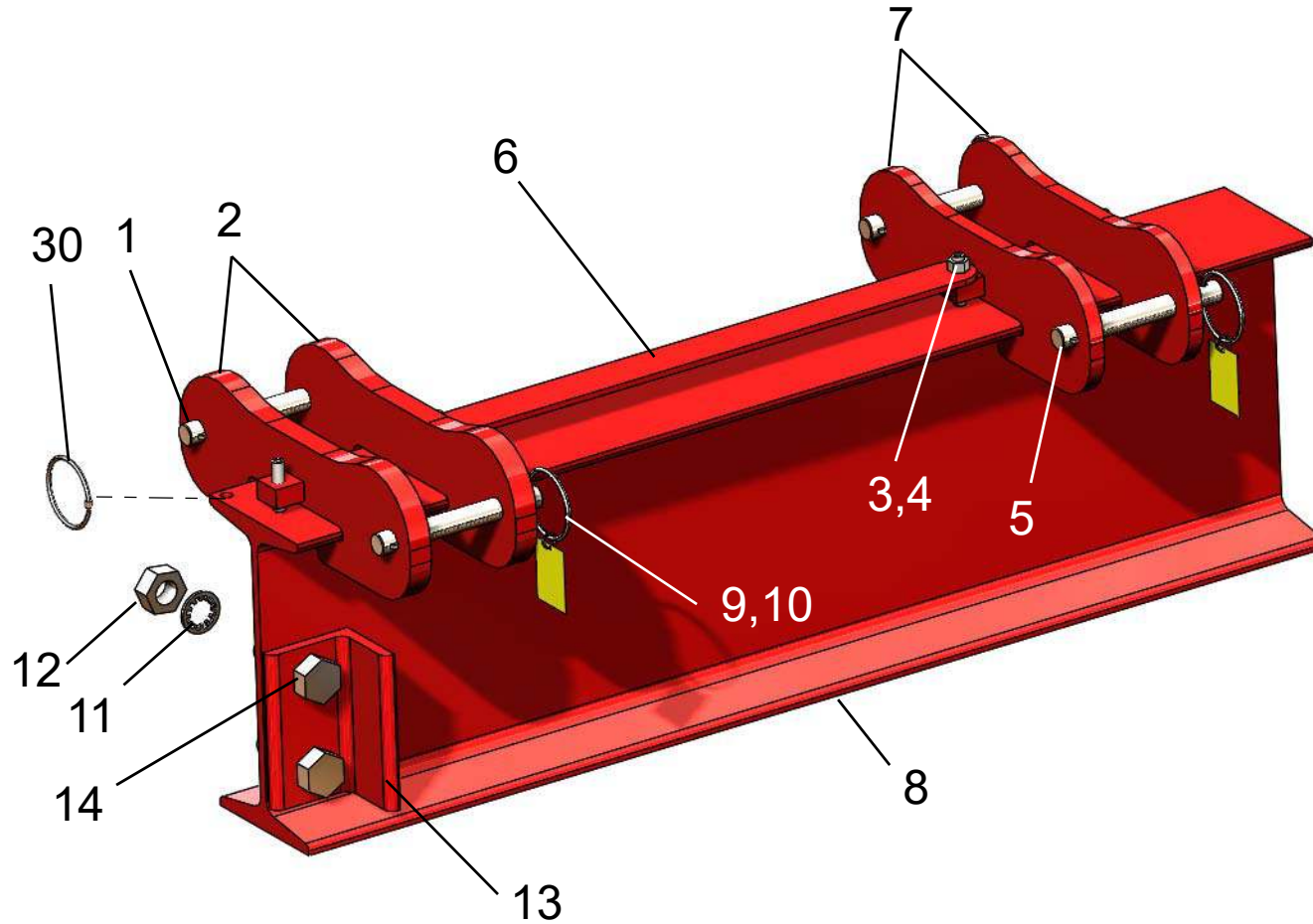

MODEL NUMBER FHS1013-S20AC

| ITEM NO. | PART DESCRIPTION | PART NUMBER | QUAN. |
|----------|--|-------------|-------|
| 1 | PIN - SUPPORT 1 DIA. X 5 3/4 LG. | 5018-0002 | 4 |
| 2 | BRACKET - MAIN LEG | 6015-1 | 4 |
| 3 | HEX. NUT 3/8-24NF | 54-0100 | 8 |
| 4 | SOC. SET SCREW 3/8-24NF X 1 3/4 LG. | 63-0110 | 8 |
| 5 | PIN - SUPPORT 11/16 DIA. X 5 11/16 LG. | 5017-0006 | 4 |
| 6 | SPACER BAR 18 3/16" LG. | 3604-0005 | 2 |
| 7 | BRACKET - BRACE LEG | 6015-2 | 4 |
| 8 | I-BEAM STL 15" X 20' LG. | 768-0200 | 1 |
| 9 | KEY RING 2 1/4 DIA. | 82-0030 | 18 |
| 10 | CAUTION TAG No. 399 | 1969-RING | 16 |
| 11 | LOCK WASHER INT. TOOTH 3/4 | 58-0040 | 4 |
| 12 | HEX. NUT 3/4-10NC | 54-0040 | 4 |
| 13 | TROLLEY STOP ANGLE | 5132-0000 | 4 |
| 14 | HEX. HD. BOLT 3/4-10NC X 2 1/2 LG. | 51-0480 | 4 |
| 15 | BRACE LEG | 3625-0120 | 4 |
| 16 | MAIN LEG | 3627-0120 | 4 |
| 17 | PIN - SUPPORT 11/16 DIA. X 4 9/16 LG. | 5017-0004 | 4 |
| 20 | HEX. HD. BOLT 1/2-13NC X 4 LG. | 51-0460 | 4 |
| 21 | LOCK WASHER INT. TOOTH 1/2 | 58-0020 | 4 |
| 22 | HEX. NUT 1/2-13NC | 54-0050 | 4 |
| 23 | PIN - LOWER LEG 3/4 DIA. X 5 1/8 LG. | 5023-0000 | 4 |
| 24 | CASTER PLATE H.D. | 5030-0000 | 4 |
| 25 | HEX. HD. BOLT 1/2-13NC X 1 3/4 LG. | 51-0300 | 32 |
| 26 | LOCK WASHER INT. TOOTH 1/2 | 58-0020 | 32 |
| 27 | HEX. NUT 1/2-13NC | 54-0050 | 32 |
| 28 | CASTER WHEEL 8" DIA. | 47-81NB | 8 |
| 29 | CASTER FRAME TUBE | 3628-0120 | 2 |
| 30 | COTTER PIN 1/4 X 2 LG. | 60-0040 | 4 |



Wallace Cranes Parts Location

Hippolift 5 Ton

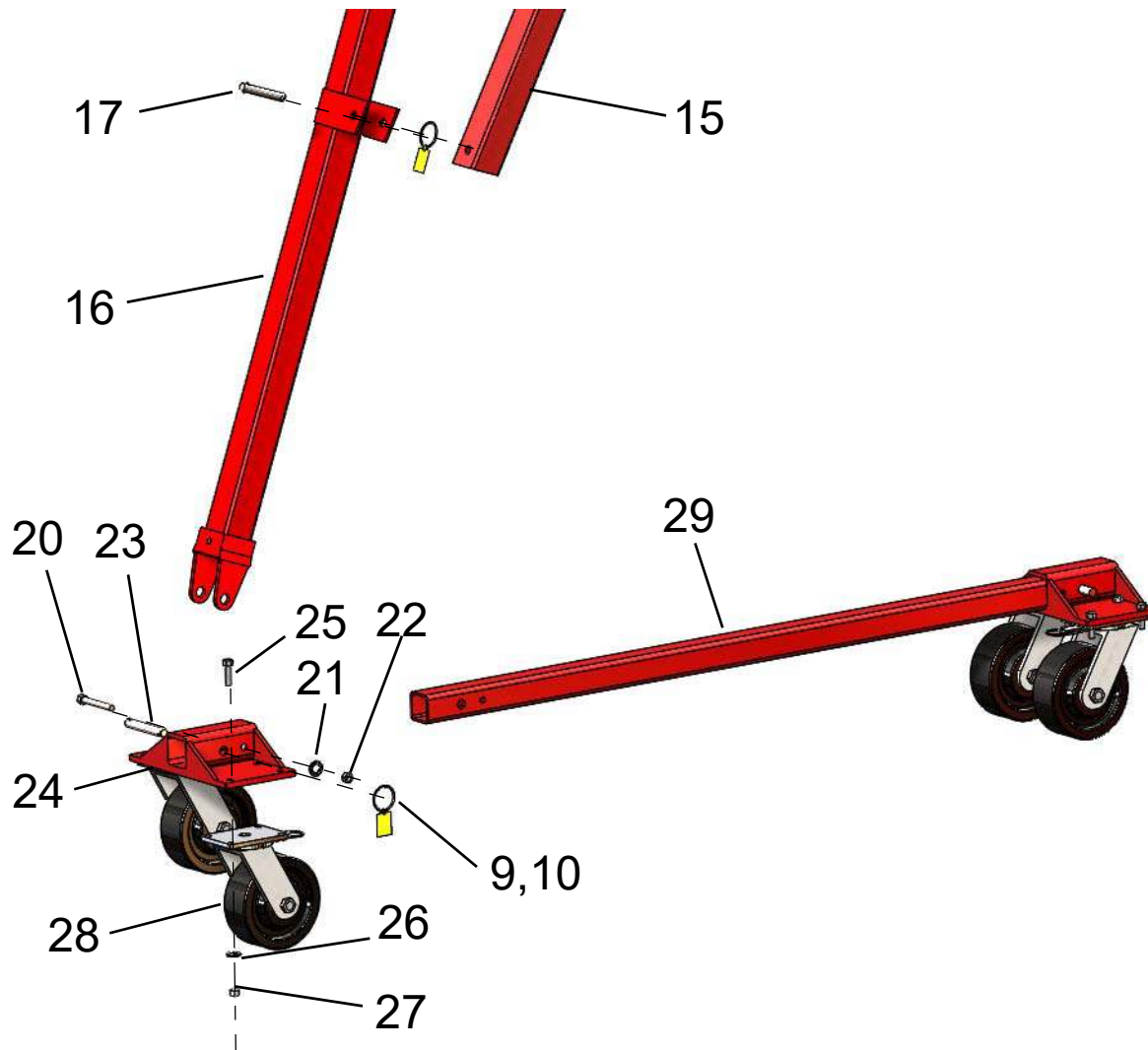


I-Beam
Assembly
Parts Location

Wallace Cranes
71 N Bacton Hill Rd.
Malvern, PA 19355



www.wallacecranes.com
800-553-5438
©2017 All rights reserved



Caster Frame
Assembly
Parts Location

Wallace Cranes
71 N Bacton Hill Rd.
Malvern, PA 19355

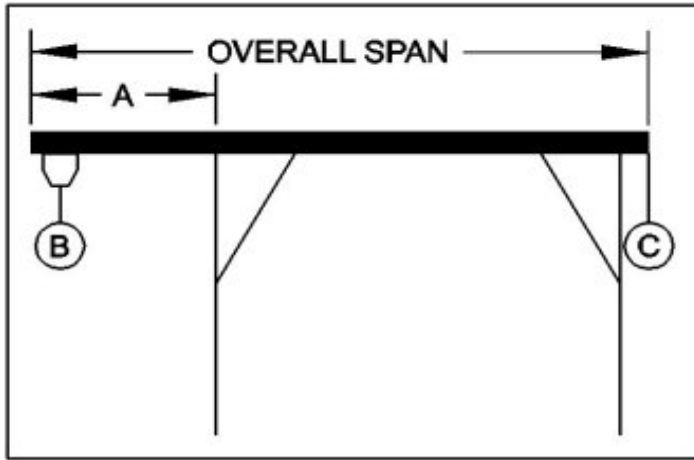


www.wallacecranes.com
800-553-5438
©2017 All rights reserved



WALLACE CRANES PORTABLE CRANE CANTILEVER CHART

GANTRY MODEL NUMBER: FHS1013-S20AC
 I-BEAM: S15" X 42.9#' X 20'
 I-BEAM LENGTH (OVERALL SPAN): 240 Inches
 MAXIMUM CANTILEVER DISTANCE (A): 60 Inches
 GANTRY RATED CAPACITY: 10000 Lbs.
 MAXIMUM CANTILEVERED LOAD (B): 6000 Lbs.
 GANTRY WEIGHT: 1664 Lbs.
 I-BEAM WEIGHT: 858 Lbs.



PROPER CANTILEVER PROCEDURES
 Required counterweight should not be supported by gantry caster frame.

Load and trolley should be able to freely traverse the I-beam through the main legs and brace legs of the gantry.

REQUIRED COUNTERWEIGHT AT [C]

| A | B | B | B | B | B | B | B | B |
|------|------|------|------|------|------|------|------|------|
| IN | 750 | 1500 | 2250 | 3000 | 3750 | 4500 | 5250 | 6000 |
| FEET | LBS. | LBS. | LBS. | LBS. | LBS. | LBS. | LBS. | LBS. |
| 1 | 0 | 0 | 0 | 0 | 0 | 0 | 0 | 0 |
| 2 | 0 | 0 | 0 | 0 | 49 | 215 | 382 | 549 |
| 3 | 0 | 0 | 37 | 302 | 567 | 831 | 1096 | 1361 |
| 4 | 0 | 25 | 400 | 775 | 1150 | 1525 | 1900 | 2275 |
| 5 | 0 | 311 | 811 | 1311 | 1811 | 2311 | 2811 | 3311 |