

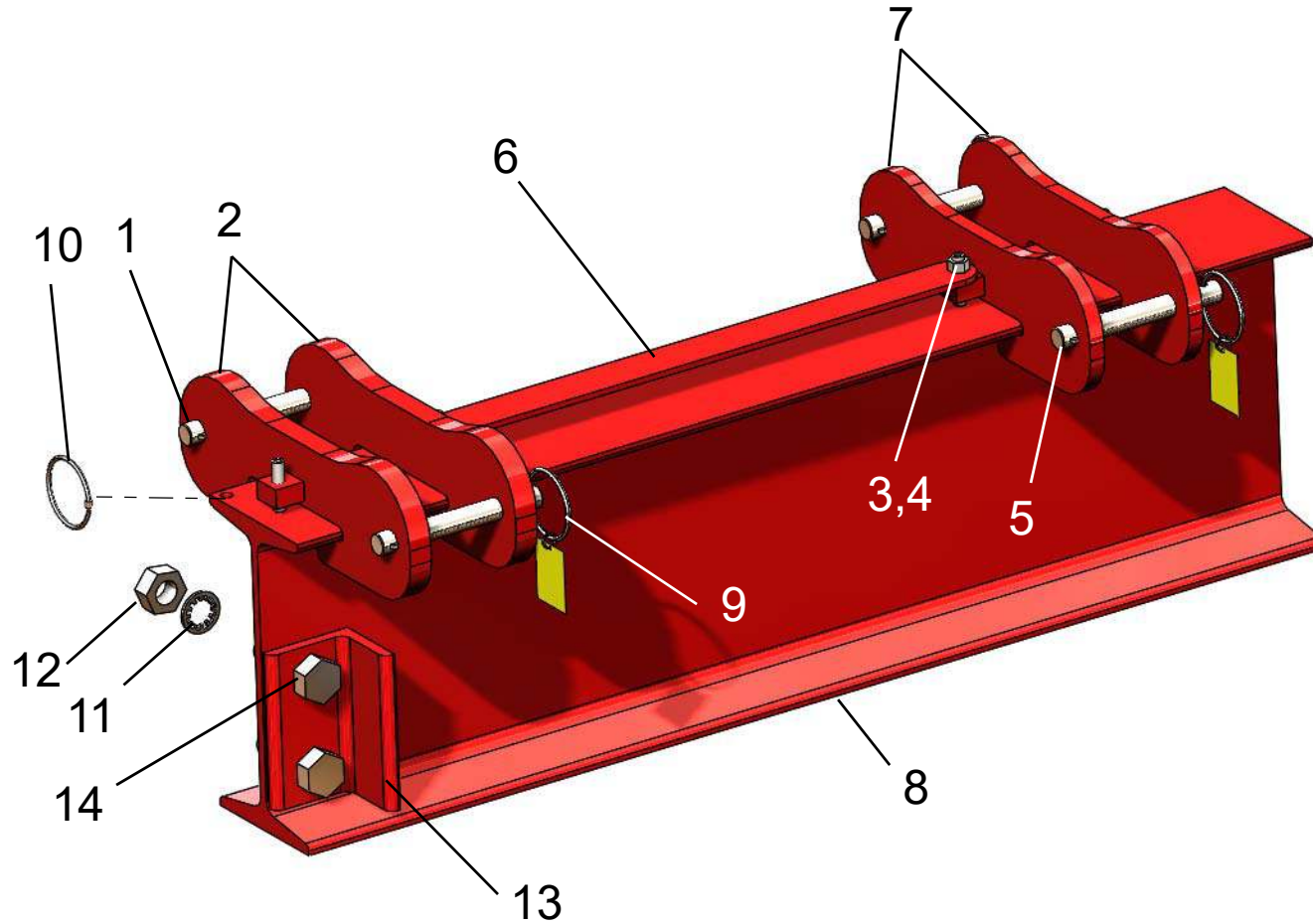
MODEL NUMBER 10T19-25

| ITEM NO. | PART DESCRIPTION | PART NUMBER | QUAN. |
|----------|--|-------------|-------|
| 1 | SUPPORT PIN 1 DIA. X 8 1/4 LG. | 5413-0000 | 4 |
| 2 | MAIN LEG BRACKET | 6124-1 | 4 |
| 3 | HEX. NUT 3/8-24NF | 54-0100 | 8 |
| 4 | SOC. SET SCREW 3/8-24NF X 1 3/4 LG. | 63-0110 | 8 |
| 5 | SUPPORT PIN 3/4 DIA. X 6 1/4 LG. | 5129-0001 | 4 |
| 6 | SPACER BAR 26 LG. | 5307-2600 | 2 |
| 7 | BRACE LEG BRACKET | 6124-2 | 4 |
| 8 | I-BEAM STL. 24" X 25' LG. | 758-0251 | 1 |
| 9 | KEY RING 2 1/4 DIA. | 82-0030 | 16 |
| 10 | CAUTION TAG No. 399 | 1969-RING | 12 |
| 11 | LOCK WASHER INT. TOOTH 3/4 | 58-0040 | 4 |
| 12 | HEX. NUT 3/4-10NC | 54-0040 | 4 |
| 13 | TROLLEY STOP ANGLE | 5131-0000 | 4 |
| 14 | HEX. HD. BOLT 3/4-10NC X 2 1/2 LG. | 51-0480 | 4 |
| 15 | BRACE LEG | 5135-0002 | 4 |
| 16 | MAIN LEG ASSEMBLY | 5106-0121 | 4 |
| 17 | UPPER MAIN LEG | 5155-0002 | 4 |
| 18 | ROLL PIN 5/32 X 3/4 LG. | 61-0300 | 4 |
| 19 | LOAD PIN CASTING | 5111-0000 | 4 |
| 20 | EXTENSION SPRING | 5117-0000 | 8 |
| 21 | LOWER MAIN LEG | 5157-0002 | 4 |
| 22 | SAFETY STOP ASSEMBLY | 5140-0000 | 4 |
| 23 | CASTER FRAME ASSEMBLY | 5107-0121 | 2 |
| 24 | SAFETY CABLE ASS'Y 130" LG. | 5028-0002 | 2 |
| 25 | OUTER CASTER FRAME TUBE | 5136-0002 | 2 |
| 26 | CASTER FRAME ADJUSTMENT PIN | 5139-0000 | 2 |
| 27 | INNER CASTER FRAME TUBE | 5137-0002 | 2 |
| 28 | HEX. HD. BOLT 1/2-13NC X 3 1/2 LG. | 51-0460 | 2 |
| 29 | CASTER PLATE | 5161-0000 | 4 |
| 30 | LOWER MAIN LEG PIN 1 DIA. X 6 7/16 LG. | 5018-0000 | 4 |
| 31 | HEX. HD. BOLT 1/2-13NC X 5 LG. | 51-0110 | 6 |
| 32 | HEX. HD. BOLT 1/2-13NC X 1 3/4 LG. | 51-0300 | 32 |
| 33 | CASTER WHEEL 10" DIA. | 47-0250 | 8 |
| 34 | LOCK WASHER INT. TOOTH 1/2 | 58-0020 | 40 |
| 35 | HEX. NUT 1/2-13NC | 54-0050 | 40 |
| 36 | COTTER PIN 1/4 X 2 LG. | 60-0040 | 4 |



Wallace Cranes Parts Location

Square Tube Tri-Adjustable 8 & 10 Ton

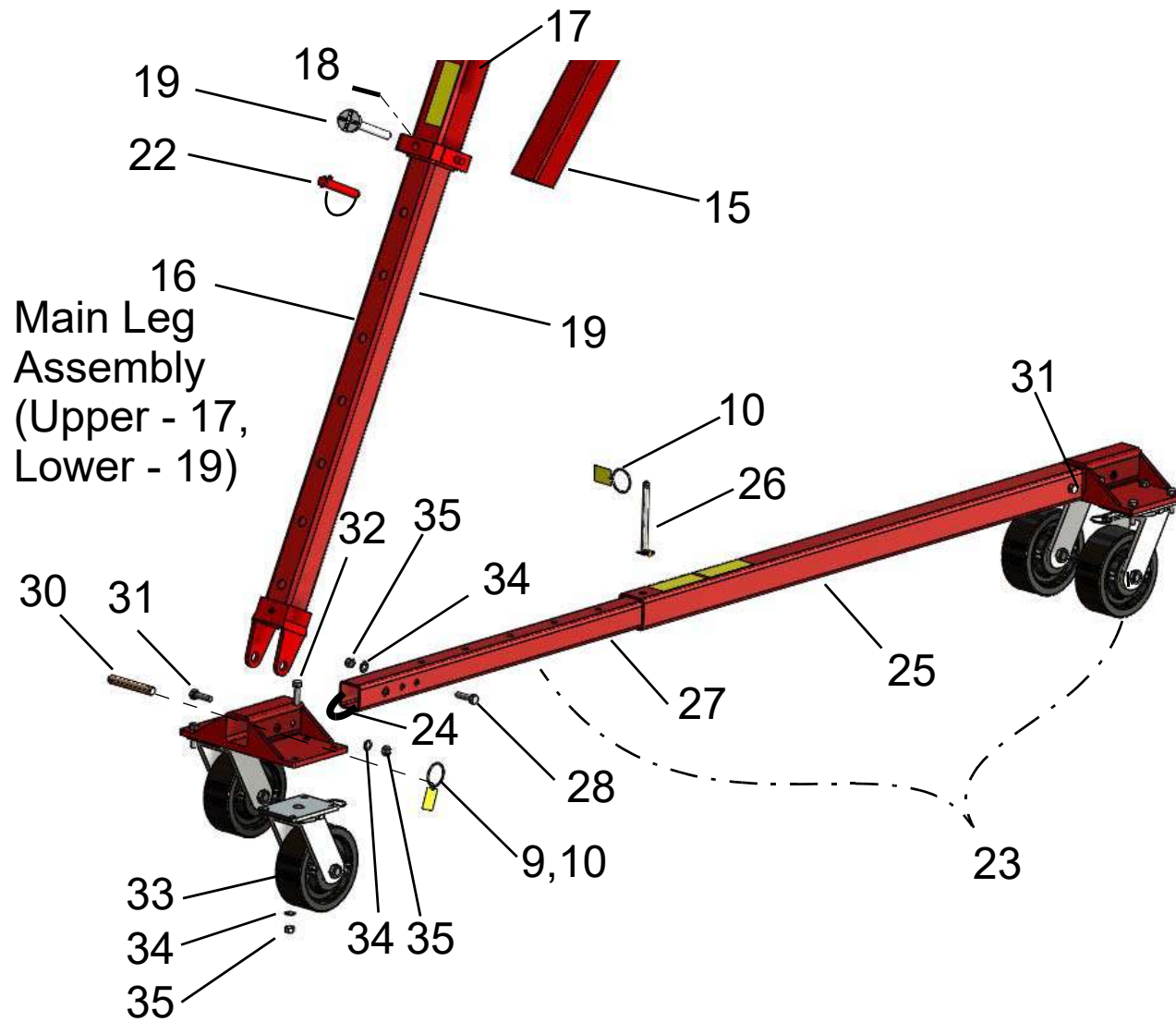


I-Beam
Assembly
Parts Location

Wallace Cranes
71 N Bacton Hill Rd.
Malvern, PA 19355



www.wallacecranes.com
800-553-5438
©2017 All rights reserved



Caster Frame
Assembly
Parts Location



Alternate
V-Groove Caster
Part No. 5141

Wallace Cranes
71 N Bacton Hill Rd.
Malvern, PA 19355

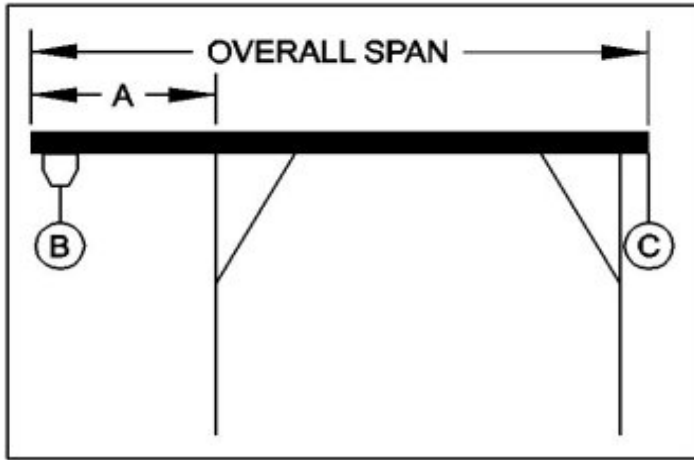


www.wallacecranes.com
800-553-5438
©2017 All rights reserved



WALLACE CRANES PORTABLE CRANE CANTILEVER CHART

GANTRY MODEL NUMBER: 10T19-25
 I-BEAM: S24" X 79.9#/' X 25'
 I-BEAM LENGTH (OVERALL SPAN): 300 Inches
 MAXIMUM CANTILEVER DISTANCE (A): 75 Inches
 GANTRY RATED CAPACITY: 20,000 Lbs.
 MAXIMUM CANTILEVERED LOAD (B): 12000 Lbs.
 GANTRY WEIGHT: 4084 Lbs.
 I-BEAM WEIGHT: 2000 Lbs.



PROPER CANTILEVER PROCEDURES
 Required counterweight should not be supported by gantry caster frame.

Load and trolley should be able to freely traverse the I-beam through the main legs and brace legs of the gantry.

REQUIRED COUNTERWEIGHT AT [C]

| A IN FEET | B 1500 LBS. | B 3000 LBS. | B 4500 LBS. | B 6000 LBS. | B 7500 LBS. | B 9000 LBS. | B 10500 LBS. | B 12000 LBS. |
|-----------------|-------------------|-------------------|-------------------|-------------------|-------------------|-------------------|--------------------|--------------------|
| 1 | 0 | 0 | 0 | 0 | 0 | 0 | 0 | 0 |
| 2 | 0 | 0 | 0 | 0 | 0 | 0 | 0 | 131 |
| 3 | 0 | 0 | 0 | 0 | 139 | 548 | 958 | 1367 |
| 4 | 0 | 0 | 0 | 434 | 1005 | 1577 | 2148 | 2719 |
| 5 | 0 | 0 | 458 | 1208 | 1958 | 2708 | 3458 | 4208 |
| 6 | 0 | 168 | 1115 | 2063 | 3010 | 3958 | 4905 | 5852 |
| 6.25 | 0 | 291 | 1291 | 2291 | 3291 | 4291 | 5291 | 6291 |