



## Wallace 1/2 to 2 Ton Aluminum Thrifty Cranes

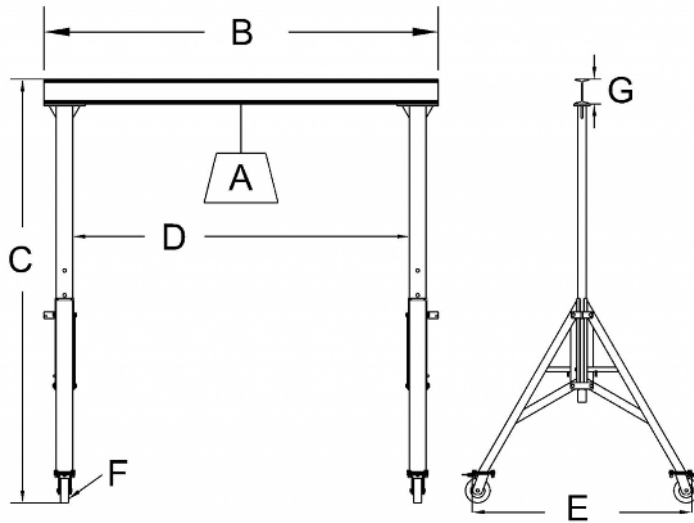
The lightweight Wallace Aluminum Thrifty Crane is one of our popular product lines and offers the greatest clear span of any Wallace Crane. The Aluminum design makes these cranes the ideal combination of high lifting and reduced weight. They are easily assembled and disassembled for convenient portability. Current applications include use in chemical, optical and electronic clean rooms. In addition, many customers use our cranes for HVAC, electric utilities, WWTP, municipal maintenance (including subways, buses and building facilities), hospitals, universities, airports and military. With adjustable height and span Wallace Cranes provide flexible lifting solutions. Available accessories include manual or powered trolleys and hoists, cable ratchet kits for frequent crane height adjustments, and adjust-a-span kits for quick span adjustments. Click on the accessories tab for more information.

[Thrifty Fixed Height Assembly and Inspection Instructions](#)

[Thrifty Adjustable Crane Assembly and Inspection](#)

### Product Features

- Economical alternative to our Tri-Adjustable Crane
- I-beam spans from 8'- 15'
  - American Standard I-Beams
- Strong rectangular posts and frames
- Gussets for added strength eliminate the need for brace legs which allows for greater clear span
- Adjustable & Fixed height models
  - Adjustable height available from 9'6" to 11'6"
  - Fixed height up to 9'0" under I-Beam
  - Customized heights available under 9'0"
- Adjustable height models permit crane height adjustment at 6" increments
  - Raise height to go over equipment, material, etc.
  - Lower height to go under low ceiling, doorway, etc.
  - Legs can be set at different heights where floor or terrain is uneven-ideal for loading from truck dock to floor or from ground level to mezzanine
- Adjustable height models have spring loaded bolts that engage quickly
- Casters equipped with 4 position swivel lock-when locked 90 degrees with each other, they position crane more firmly than a brake
  - Lock "lead" caster and unlock trailing casters to easily move and steer crane
  - Alternate steel V-grooved casters are available for use on angle iron track
- Cable Ratchet Hoist Kit - Available to speed height adjustments on 1/2 ton through 5 ton adjustable models
- Adjust-a-Span Kit - Allows frame and post assembly to slide along the I-beam
  - Kit available for span up to 15'0"
- Completely portable - many aluminum models can be hand-carried



Thrifty Crane Dimensional Sketch - Click to enlarge

### Crane Sizes and Model Numbers - Fixed Height Models

A	B		C	D	E	F	G	
Capacity	Span	Model Number	Overall Height	Clear Span	Thread	Caster Dia.	I-Beam Depth	Ship Wt.
1/2 Ton	8'	FA19-8AC	9' 6"	6' 10"	4' 6"	6"	6"	135
	10'	FA19-10AC	9' 6"	8' 10"	4' 6"	6"	6"	144
	12'	FA19-12AC	9' 6"	10' 10"	4' 6"	6"	6"	153
	15'	FA19-15AC	9' 8"	13' 10"	4' 6"	6"	8"	198
1 Ton	8'	FA29-8AC	9' 6"	6' 10"	4' 6"	6"	6"	135
	10'	FA29-10AC	9' 8"	8' 10"	4' 6"	6"	8"	164
	12'	FA29-12AC	9' 8"	10' 10"	4' 6"	6"	8"	177
	15'	FA29-15AC	9' 10"	13' 10"	4' 6"	6"	10"	234

**Crane Sizes and Model Numbers - Adjustable Height Models**

A	B		C		D	E	F	G	
Capacity	Span	Model Number	Overall Height		Clear Span	Tread	Caster Dia.	I-Beam Depth	Net Wt.
			max	min					
<b>1 Ton</b>	8'	<b>A28-8AC</b>	8' 7"	6' 7"	6' 10"	4' 6"	6"	6"	165
		<b>A210-8AC</b>	10' 7"	8' 7"	6' 10"	4' 6"	6"	6"	172
	10'	<b>A28-10AC</b>	8' 9"	6' 9"	8' 10"	4' 6"	6"	8"	194
		<b>A210-10AC</b>	10' 9"	8' 9"	8' 10"	4' 6"	6"	8"	201
	12'	<b>A28-12AC</b>	8' 9"	6' 9"	10' 10"	4' 6"	6"	8"	207
		<b>A210-12AC</b>	10' 9"	8' 9"	10' 10"	4' 6"	6"	8"	214
	15'	<b>A28-15AC</b>	8' 11"	6' 11"	13' 10"	4' 6"	6"	10"	264
		<b>A210-15AC</b>	10' 11"	8' 11"	13' 10"	4' 6"	6"	10"	271
<b>2 Ton</b>	8'	<b>A48-8AC</b>	9' 2"	6' 8"	6' 10"	5' 4"	6"	8"	264
		<b>A410-8</b>	11' 2"	8' 8"	6' 10"	5' 4"	6"	8"	300
	10'	<b>A48-10AC</b>	9' 4"	6' 10"	8' 10"	5' 4"	6"	10"	301
		<b>A410-10</b>	11' 4"	8' 10"	8' 10"	5' 4"	6"	10"	337
	12'	<b>A48-12AC</b>	9' 6"	7' 0"	10' 10"	5' 4"	6"	12"	346
		<b>A410-12</b>	11' 6"	9' 0"	10' 10"	5' 4"	6"	12"	381
	15'	<b>A48-15AC</b>	9' 6"	7' 0"	13' 10"	5' 4"	6"	12"	379
		<b>A410-15</b>	11' 6"	9' 0"	13' 10"	5' 4"	6"	12"	414