



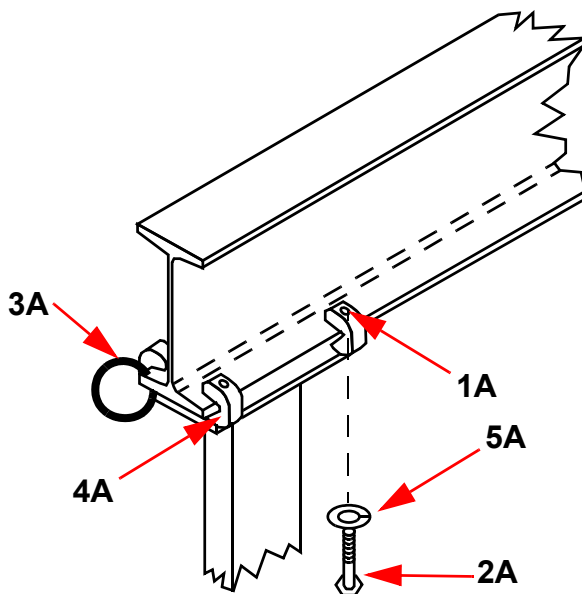
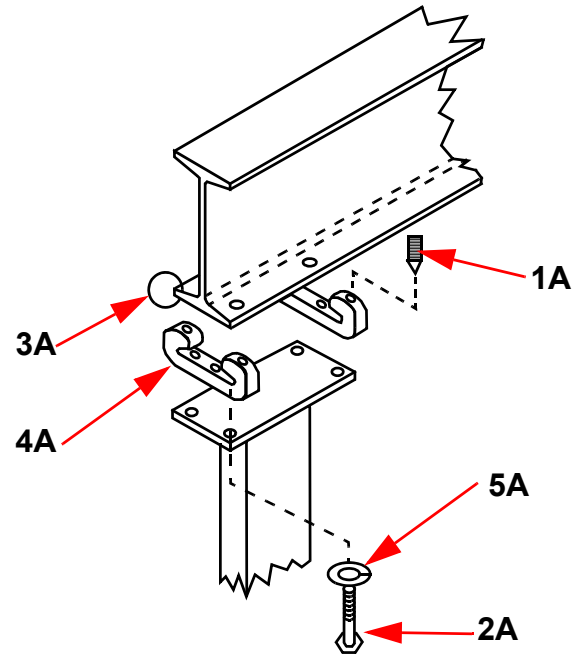
Wallace Thrifty Gantry Cranes

Adjust-A-Span Kit

For any additional information, Please call 1-800-553-5438

Adjust-A-Span Parts List

Item Number	QTY	Description
1 A	4	Cone Screw
2 A	8	Cap Screw
3 A	2	Key Ring
4 A	4	I-Beam Bracket
5 A	8	Split Lock Washer



Adjust-A-Span Kit Instructions

1. Remove Cap Screws and brackets on Post/Frame adapter plates.
2. Loosen cone screws (1A) on I-Beam brackets (4A).
3. Slide brackets (4A) onto bottom of bottom flange of I-beam to desired location.
NOTE: Post/Frame adapter plates are to be aligned with brackets (4A).
4. Insert cap screws (2A) with Lock Washers (5A) through post/frame adapter plates and tighten I-beam brackets (4A).
5. Re-tighten cone screws (1A).
6. Attach key rings (3A) to lower flange of I-Beam through holes provided.

