



Wallace Cranes

R3420 Height Adjustment Kit, Operation and Assembly

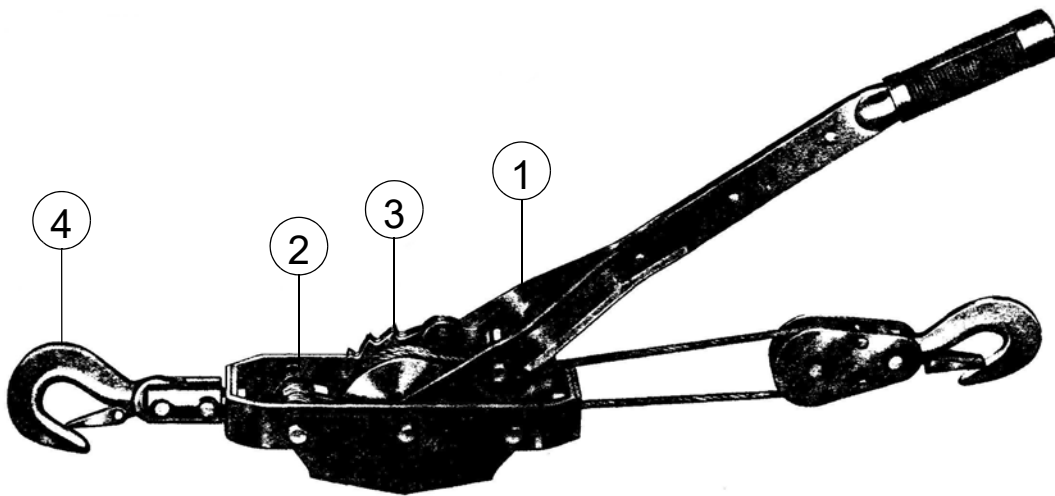
Height Adjustment for Wallace Thrifty Adjustable Cranes

Operation

1. TO RAISE LOAD OR APPLY TENSION push the plastic-covered spring (1) concealed in handle, engaging the drive pawl located on handle.
2. TO LOWER OR RELEASE TENSION push forward the plastic-covered spring (1) to release drive pawl on handle, move handle to the extreme position toward stop pawl (2) located in the housing. This momentarily disengages stop pawl and lowers load one notch. Repeat the handle motion to continue releasing load or tension a notch at a time.
3. WHEN LOAD TENSION HAS BEEN COMPLETELY REDUCED the cable may be pulled out by hand by holding the stop pawl (2) in a disengaged position with your fingers.

Assembly

1. Remove swivel hook from come-along. Attach swivel block to block and plate assembly on gantry. Insert pin and secure with retaining ring that was removed with swivel hook.
2. Release cable from unit as per operating instructions.
3. Attach hook and pulley block assembly to bottom of the post.
4. Re-engage come-along for applying tension as per operating instructions and rewind any excess cable.



Cautions

1. Do not make adjustments when gantry is under load.
2. Secure Trolley and hoist to prevent rolling.

NOTE You may want retain Hook (4) that was removed for use on the Thrifty Crane, for future use a come-along.



Actual Positioning

Use this diagram to place the Cable Ratchet Hoist on the Thrifty Crane:

