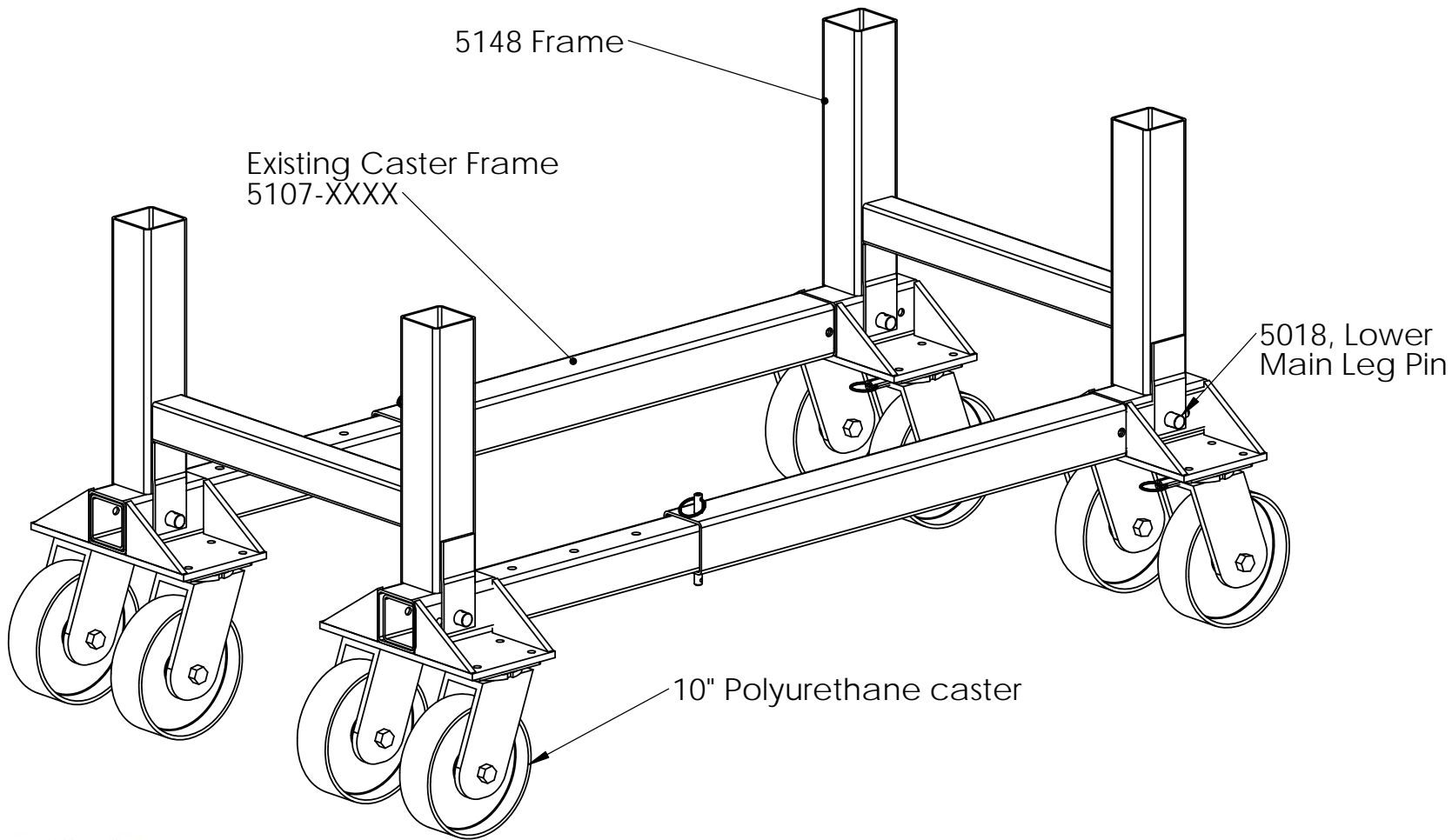


2

1

B

B



A

A



**PROPRIETARY AND CONFIDENTIAL**  
 THE INFORMATION CONTAINED IN THIS DRAWING IS THE SOLE PROPERTY OF WALLACE CRANES. ANY REPRODUCTION IN PART OR AS A WHOLE WITHOUT THE WRITTEN PERMISSION OF WALLACE IS PROHIBITED.

|             |         |                                      |           |      |        |
|-------------|---------|--------------------------------------|-----------|------|--------|
|             |         | UNLESS OTHERWISE SPECIFIED:          |           | NAME | DATE   |
|             |         | DIMENSIONS ARE IN INCHES             | DRAWN     | jif  | 7/1/16 |
|             |         | TOLERANCES:                          | CHECKED   |      |        |
|             |         | FRACTIONAL ±                         | ENG APPR. |      |        |
|             |         | ANGULAR: MACH ± BEND ±               | MFG APPR. |      |        |
|             |         | TWO PLACE DECIMAL ±                  | Q.A.      |      |        |
|             |         | THREE PLACE DECIMAL ±                | COMMENTS: |      |        |
|             |         | INTERPRET GEOMETRIC TOLERANCING PER: |           |      |        |
|             |         | MATERIAL                             |           |      |        |
|             |         | FINISH                               |           |      |        |
| NEXT ASSY   | USED ON |                                      |           |      |        |
| APPLICATION |         | DO NOT SCALE DRAWING                 |           |      |        |

|   |           |              |
|---|-----------|--------------|
| TITLE:  |           |              |
| Kart Kit for 8 and 10 Ton Tri-Adjustable Cranes |           |              |
| SIZE  | DWG. NO.  | REV          |
| <b>A</b>  | 5148_kart |              |
| SCALE: 1:12                                     | WEIGHT:   | SHEET 2 OF 3 |

2

1

2

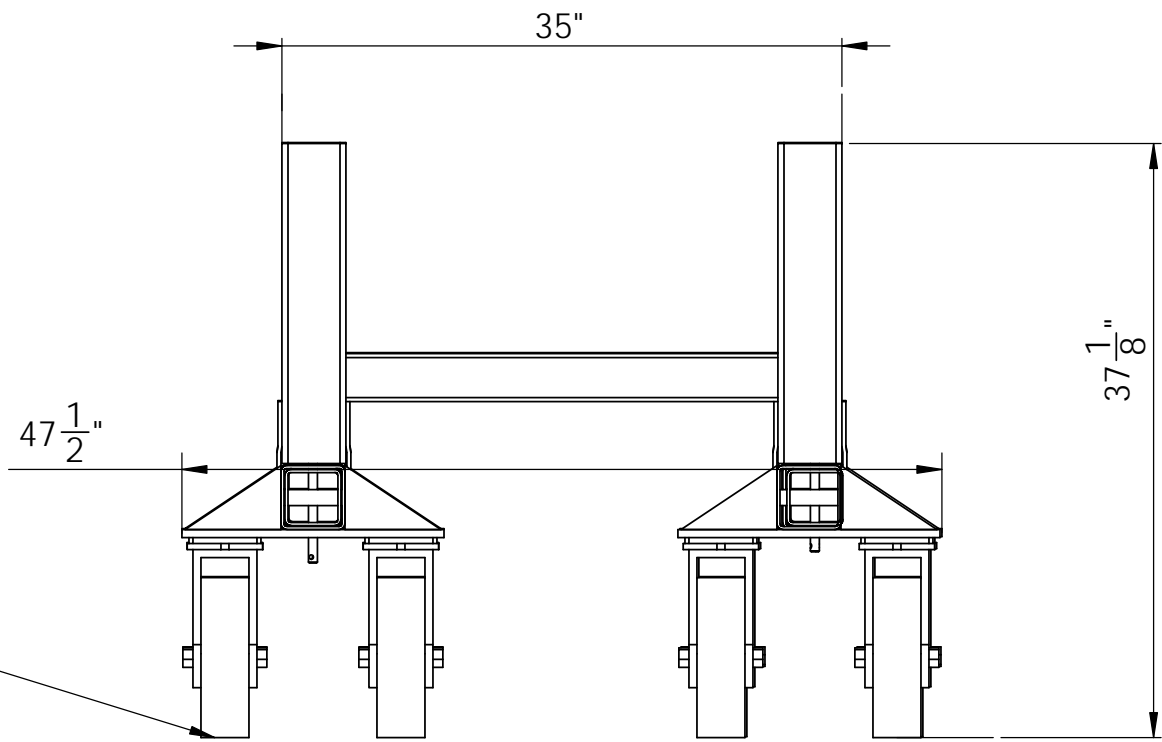
1

B

B

A

A



**PROPRIETARY AND CONFIDENTIAL**  
 THE INFORMATION CONTAINED IN THIS DRAWING IS THE SOLE PROPERTY OF WALLACE CRANES. ANY REPRODUCTION IN PART OR AS A WHOLE WITHOUT THE WRITTEN PERMISSION OF WALLACE IS PROHIBITED.

|             |         |                                      |           |      |        |
|-------------|---------|--------------------------------------|-----------|------|--------|
|             |         | UNLESS OTHERWISE SPECIFIED:          |           | NAME | DATE   |
|             |         | DIMENSIONS ARE IN INCHES             | DRAWN     | jif  | 7/1/16 |
|             |         | TOLERANCES:                          | CHECKED   |      |        |
|             |         | FRACTIONAL $\pm$                     | ENG APPR. |      |        |
|             |         | ANGULAR: MACH $\pm$ BEND $\pm$       | MFG APPR. |      |        |
|             |         | TWO PLACE DECIMAL $\pm$              | Q.A.      |      |        |
|             |         | THREE PLACE DECIMAL $\pm$            | COMMENTS: |      |        |
|             |         | INTERPRET GEOMETRIC TOLERANCING PER: |           |      |        |
|             |         | MATERIAL                             |           |      |        |
|             |         | FINISH                               |           |      |        |
| NEXT ASSY   | USED ON |                                      |           |      |        |
| APPLICATION |         | DO NOT SCALE DRAWING                 |           |      |        |

|                              |           |              |
|------------------------------|-----------|--------------|
| TITLE:                       |           |              |
| Kart Kit, Width for Door Fit |           |              |
| SIZE                         | DWG. NO.  | REV          |
| <b>A</b>                     | 5148_kart |              |
| SCALE: 1:12                  | WEIGHT:   | SHEET 3 OF 3 |

2

1