



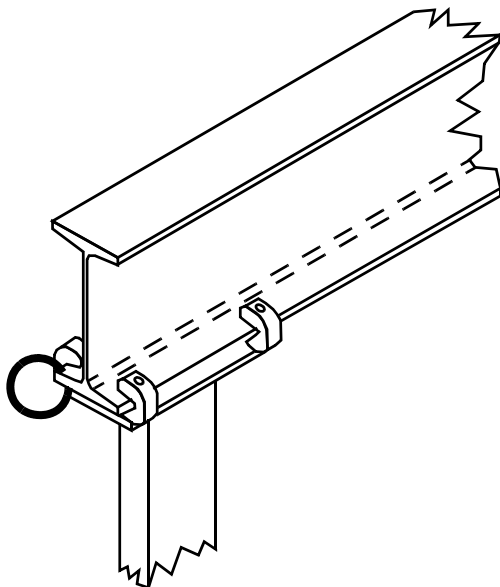
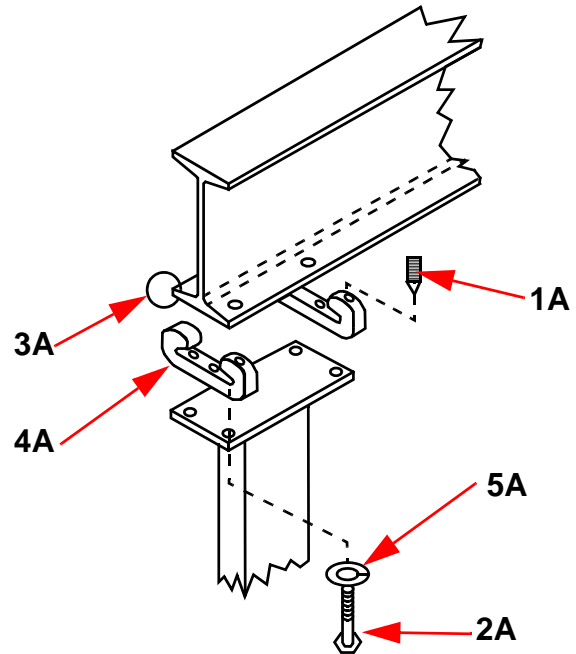
Wallace Thrifty Gantry Cranes

Adjust-A-Span Kit

For any additional information, Please call 1-800-553-LIFT

Adjust-A-Span Parts List

Item Number	Description
1 A	Cone Screw
2 A	Cap Screw
3 A	Key Ring
4 A	I-Beam Bracket
5 A	Split Lock Washer



Adjust-A-Span Kit Instructions

1. Loosen cone screws on I-Beam brackets.
2. Slide brackets onto bottom of bottom flange of I-beam to desired location.
NOTE: Post/Frame adapter plates are to be aligned with brackets.
3. Insert cap screws through post/frame adapter plates and tighten I-beam brackets.
4. Re-tighten cone screws.
5. Attach key rings to lower flange of I-Beam through holes provided.

