



Wallace Cranes

Caster Frame and Height Adjustment, Round Tube

Height Adjustment with Wallace Jack Kit

1. Turn and lock casters PARALLEL to the I-beam to prevent Crane from rolling.
2. Mount winches onto jack tubes. One winch must be mounted with reference to the other to provide one left and one right hand jack.
3. Thread cables over pulley and attach shackle to lifting eye located by the load pin.

NOTE Jacks are placed so that the winch handles are outboard of Crane. NEVER have cranks inboard which would necessitate the operator standing under the I-beam.

4. Remove stabilizer cable assembly (5) from jack tube and place upper end of tube against side of main leg under I-beam and loop cable around leg. Insert pin through top hole in jack tube using attached klik-pin to hold it in place after cable loop (eye) has been placed over end of pin.

NOTE Cable assembly (5) will prevent jack tube from rotating around pin assembly (7) when jack is in place and prior to tensioning winch cable.

5. When adjusting for minimum height, remove pin assembly (7) and rest saddle on caster frame tube.
6. When adjusting other than minimum height, insert pin assembly (7) and jack into hole below load bolt.
7. Using jack winch, raise the upper leg slightly to clear load bolt, then pull load bolt out and turn 1/4 -turn (right or left) for "LOCK-OUT POSITION".

NOTE Do not adjust any one leg (or one end) more than one foot higher (or lower) than the other legs (or end) as this moves the center of gravity of the I-beam excessively and could cause the Crane to topple.

8. Continue adjustment (up or down) to align load bolt and allow it to re-engage.
9. After final adjustment, secure safety stop in first hole below the load bolt.

CAUTION 1. DO NOT MAKE ANY ADJUSTMENTS WHEN THE CRANE IS UNDER LOAD.
2. SECURE TROLLEY AND HOIST TO PREVENT ROLLING.

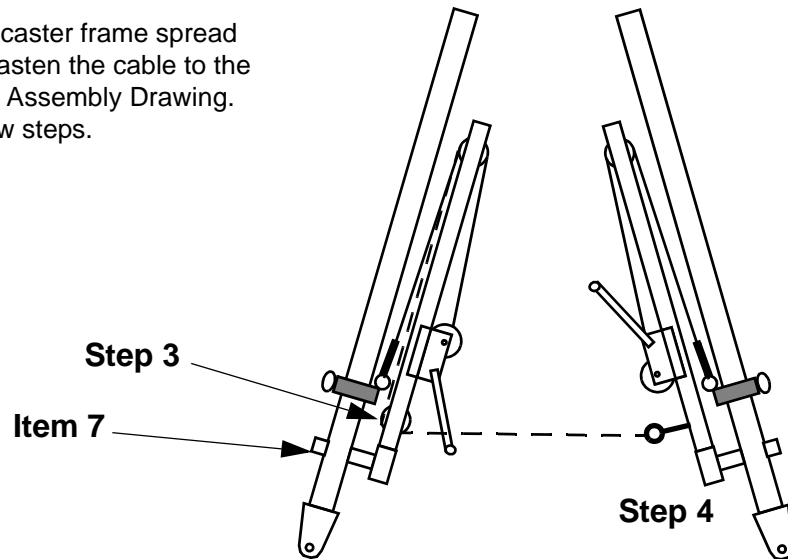


Caster Frame Adjustment

Use This Procedure to Adjust Caster Frame Spread

with the Wallace Jack Kit

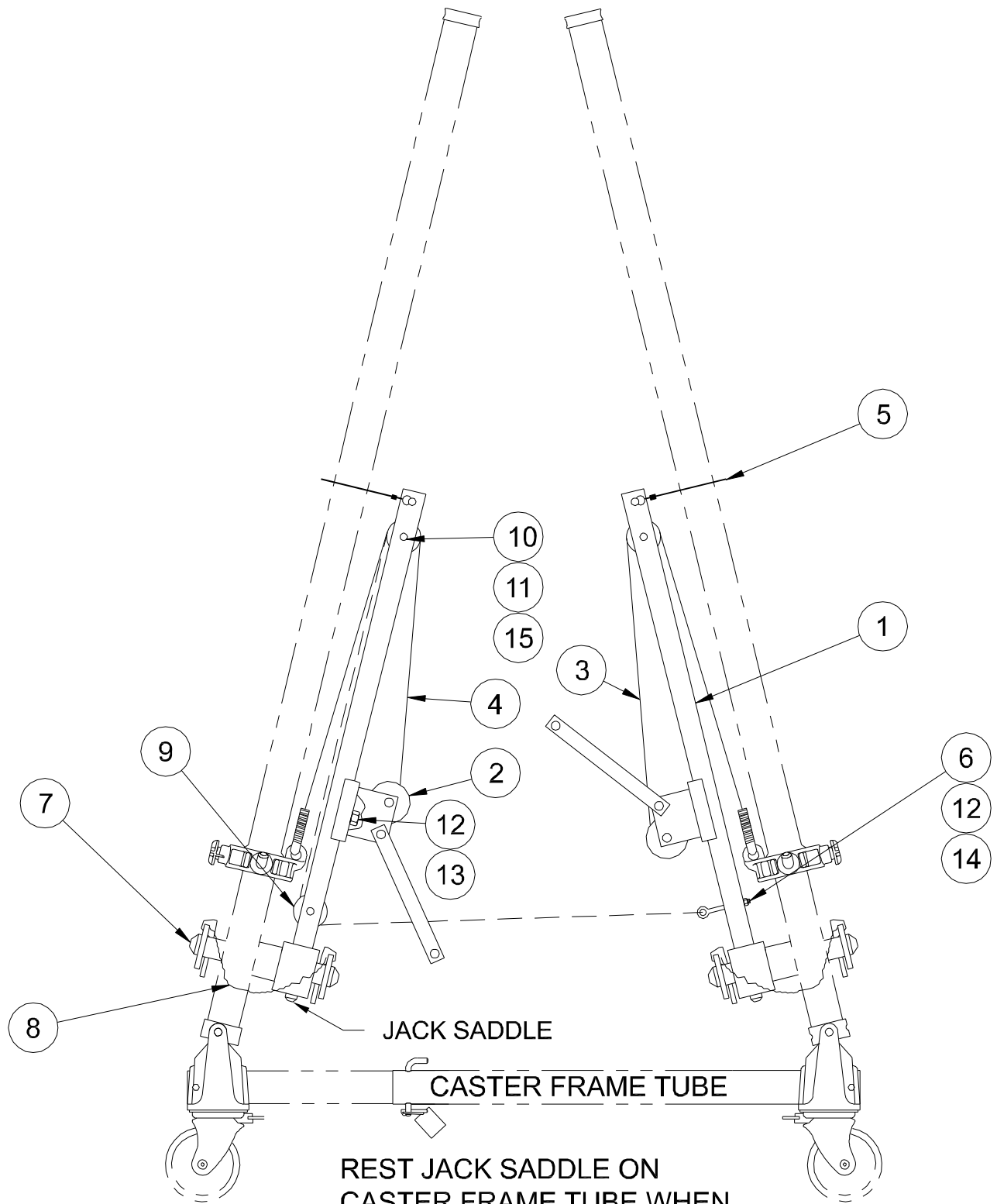
1. Turn and lock casters perpendicular to the I-Beam and secure trolley and hoist in the center of the I-Beam to prevent rolling.
2. One jack winch (right or left) is used for caster frame spread adjustment. On the other jack, you will fasten the cable to the eye bolt as shown right and on the Jack Assembly Drawing. This procedure is detailed in the next few steps.



3. Remove the pulley at the bottom of the Jack and pass the end of the cable through the pulley slot and extend this cable to the first hole in the main leg above the caster frame. Do not attach the cable at this time.
4. Attach this end to the eye bolt shown in Step 2. Re-install the pulley, axle, and Klik pins.
5. Insert pin assembly (7) into the jack and the first hole in the main leg above the caster frame. Then, attach all the locking pins in the pin assembly.
6. Using the Jack, crank handle of the winch to tension cable, thereby taking weight off the caster frame adjusting pin. When the weight is off, remove the pin.
7. Adjust spread as desired and replace the caster frame adjusting pins. Secure the adjusting pins with the corresponding locking pins.
8. Ratchet the Jack winch to release tension on cable.
9. Detach cable from eye bolt.
10. Attach cable to main leg (as to be used for adjusting height with Wallace Jack Kit, but keep stored without tension) for future use.



Jack Tube Parts Drawing



REST JACK SADDLE ON
CASTER FRAME TUBE WHEN
ADJUSTING FROM MINIMUM
HEIGHT.



Jack Kit Parts List

Item Number	Part Number	Description	Jack Model Number				
			3400-3010	3400-3012	3400-3015	3400-3018	3400-3021
1	3401-0046	Jack Leg Tube	2				
	3401-0050	Jack Leg Tube		2			
	3401-0060	Jack Leg Tube			2		
	3401-0076	Jack Leg Tube				2	
	3401-0090	Jack Leg Tube					2
2	5038-0000	Winch, 1500 #	2	2	2	2	2
3	3402-0018	Cable Assembly, 18 ft.	1	1	1	1	1
4	3402-0032	Cable Assembly, 32 ft.	1	1	1	1	1
5	3408-0000	Stabilizer Cable Assembly	2	2	2	2	2
6	73-0120	Eye Bolt	1	1	1	1	1
7	5040-0000	Pin and Spacer Assembly	2	2	2	2	2
8	1627-0000	Klik Pin Assembly	2	2	2	2	2
9	1985-0000	Pulley, 2 1/4 in. Dia.	3	3	3	3	3
10	2395-0000	Axle, 1/2" Dia.	3	3	3	3	3
11	81-0010	Klik Pin 1/4" Dia.	3	3	3	3	3
12	54-0060	Hex Nut, 3/8 -16	5	5	5	5	5
13	58-0060	Lock Washer 3/8	4	4	4	4	4
14	56-0100	Flat Washer 3/8	1	1	1	1	1
15	60-0020	Cotter Pin, 3/16 X 1 1/2 Lg.	3	3	3	3	3

Cautions

1. Do not make adjustments when gantry is under load.
2. Secure Trolley and hoist to prevent rolling.
3. See Operating Instructions (Previous pages of this form, 433) for additional information.

