



# Wallace Thrifty Gantry Cranes

## Operating, Adjustment, and Inspection Instructions

*Read, Understand, and Comply with all instructions supplied with this crane. Also, pay attention to the equipment used with this crane such as hoists, trolleys, power drives (if applicable), etc.*

*Read, Understand, and Comply with the requirements of OSHA (Occupational Safety, and Health Administration) 1910.179*

### Inspect Crane Before Moving and/Or Each Day's Use

- Center Load under I-Beam before lifting
- When moving crane under load, position load at center of the I-Beam.
- Use crane at lowest height possible, to lower center of gravity.
- DO NOT lift or support humans.
- DO NOT allow load to swing or roll against any supporting members.
- DO NOT TOW or Pull Crane.
- DO NOT OVERLOAD CRANE.
  - Do not lift loads that are heavier than the rated capacity of the crane.
  - Make certain the load is free to be lifted.

### Positioning of Crane to Handle Loads

**DO**

7.5° | 7.5°

- Keep Load Hook of Hoist in the Shaded Safe Zone.

**Allowable**

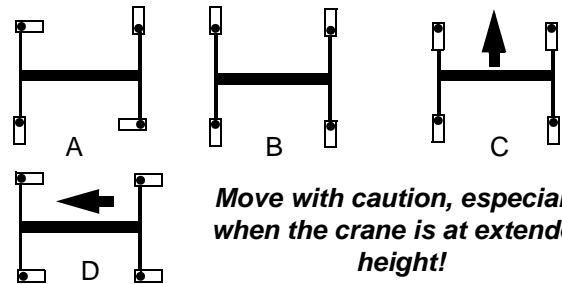
- The design allows 7.5° movement to either side to allow for slight off-center loading.
- Under normal conditions (for example, the casters positioned at right angles to the I-Beam and the crane is free to roll), the crane will move to self-align over the load.

**DO NOT!**

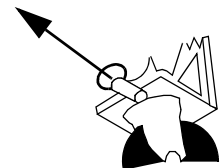
- The crane may "topple" if the hook is not kept in the shaded safe load zone and the crane is not free to align over the load.
- Lifting off centerline at one end of the crane is dangerous! Up to 90% of the load can be carried by ONE leg. Even though rated capacity is not exceeded, the result can be a 90% overload and the trolley is improperly loaded.

### Positioning of Casters

- To secure crane position while lifting load, lock diagonally opposite casters as shown.
- To utilize maximum crane strength, lock casters as shown.
- To move crane and/or load perpendicular to I-beam, lock casters as shown or allow casters to pivot freely.
- To move crane and/or load parallel to I-beam, lock casters as shown or allow casters to pivot freely.



**Pull out and turn pin as necessary to provide a locked or unlocked caster position, then release pin.**



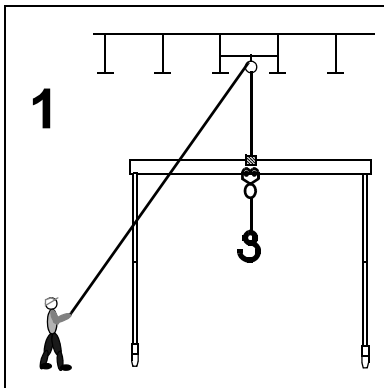
# Wallace Thrifty Gantry Cranes

## General Safety Instructions for Crane Adjustments and Use

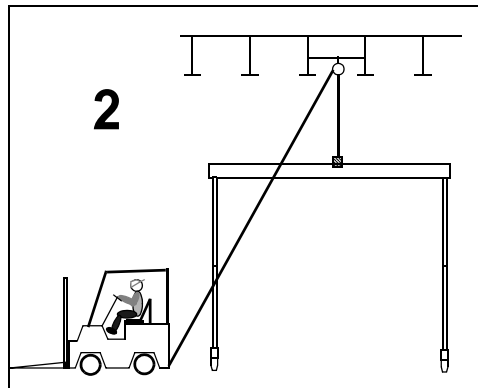
- **Adjustments** and/or repairs should be made in an area where they will have the least interference with ongoing operations.
- **Do Not** make adjustments when the crane is under load. If crane is in operation, lower and disconnect the load before making any adjustments.
- **Secure Trolley and Hoist** to prevent movement during adjustment of crane.
- **Do Not Adjust** any one leg (or end) more than one foot above or below the other legs (or end), as it could cause the crane to “topple” and result in injury and/or equipment damage.
- **Rated load** capacity is plainly marked on each side of I-beam. Each hoisting unit shall have its rated load clearly marked and shall be legible from ground or floor.
- **Form 1004** (This Form) attached in convenient location by user.
- **Caution tag** attached to locking pins.
- **Make certain** that all Warning or Caution labels are in place and legible. Replacements for damaged or missing labels upon request.

## Methods of Supporting Crane for Assembly

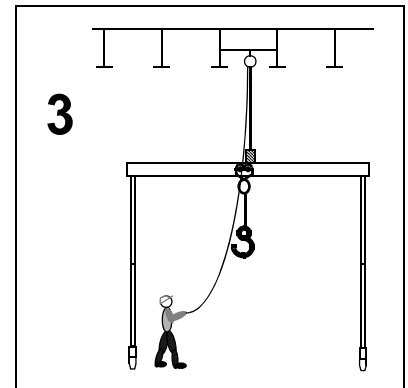
**DO NOT ASSEMBLE OR DISASSEMBLE OR MAKE ANY ADJUSTMENTS TO CRANE**  
**UNTIL** the unit is supported by one of the three methods illustrated below.



1 Use a Block and Tackle with cable winch with lifting bracket or beam clamp



2 Use a block and tackle with lifting bracket or beam clamp with a suitable truck.



3 Use a hand or electric hoist with a lifting bracket or beam clamp.